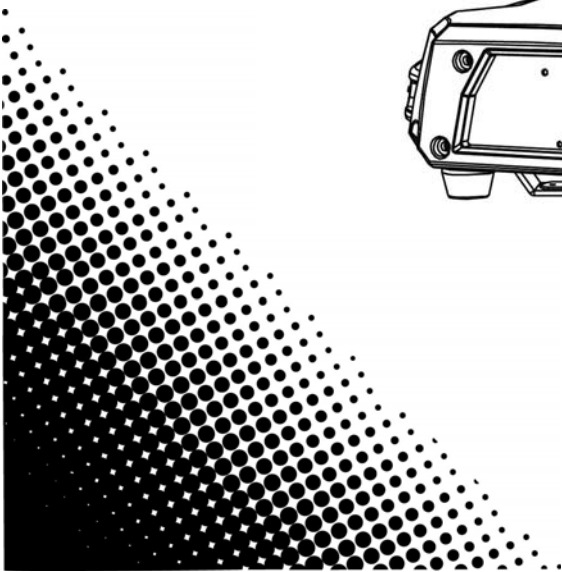
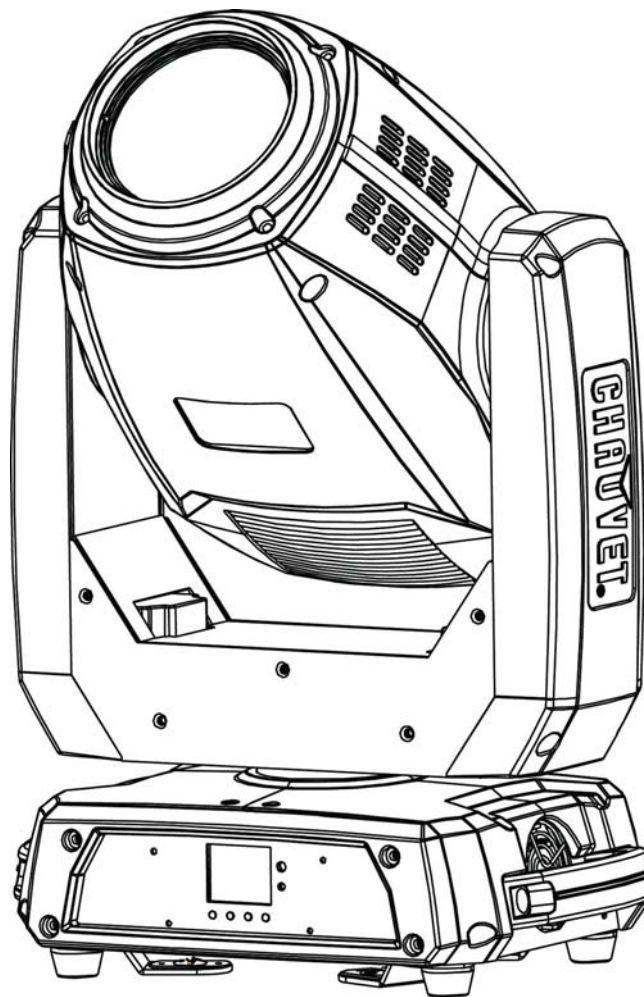


# INTIMIDATOR HYBRID 140SR

## User Manual



**TABLE OF CONTENTS**

- 1. Before You Begin ..... 1**
  - What Is Included ..... 1
  - Unpacking Instructions..... 1
    - Claims ..... 1
  - Text Conventions ..... 1
  - Symbols ..... 1
  - Disclaimer ..... 1
  - Product at a Glance ..... 2
  - Safety Notes..... 2
- 2. Introduction ..... 3**
  - Product Overview..... 3
  - Product Dimensions ..... 3
- 3. Setup ..... 4**
  - AC Power ..... 4
    - Fuse Replacement ..... 4
    - Power Linking..... 4
  - Mounting ..... 5
    - Orientation..... 5
    - Rigging ..... 5
- 4. Operation ..... 6**
  - Control Panel Operation..... 6
  - Menu Map ..... 6
  - Configuration (DMX) ..... 8
    - Starting Address..... 8
    - DMX Personalities..... 8
  - Gobos..... 8
  - DMX Channel Assignments and Values ..... 9
    - 19Ch..... 9
    - 13Ch..... 13
  - Configuration (Standalone) ..... 16
    - Automatic Programs..... 16
    - Sound-Active Mode..... 16
    - Sound Sensitivity..... 16
    - Manual Mode ..... 17
  - Configuration (Settings) ..... 17
    - Pan Reverse ..... 17
    - Tilt Reverse ..... 17
    - Screen Reverse ..... 17
    - Pan Angle..... 17
    - Tilt Angle ..... 18
    - Totem Mode ..... 18
    - Lamp Settings ..... 18
      - Manual Lamp Control ..... 18
      - Lamp State at Power On ..... 18
      - Lamp Control Via DMX..... 19
        - On if DMX is On..... 19
        - Off if DMX is Off..... 19
      - Ignition Delay at Power On..... 19
      - Low Power Delay with Shutter Closed..... 20
      - Reset Lamp Timer ..... 20
      - Lamp Power ..... 20

Maintenance Timer .....	20
Maintenance Timer Interval .....	20
Reset Maintenance Timer .....	21
Reset .....	21
Factory Reset .....	21
System Information .....	21
IRC-6 Infrared Remote Control .....	22
IRC-6 Operation .....	22
Master/Slave Mode .....	23
Zero Adjust Mode .....	24
<b>5. Maintenance .....</b>	<b>25</b>
Product Maintenance .....	25
Lamp Replacement .....	25
Procedure .....	25
Maintaining Lamp Lifespan .....	26
Lamp Adjustment .....	26
<b>6. Technical Specifications .....</b>	<b>27</b>
<b>Returns .....</b>	<b>28</b>
<b>Contact Us .....</b>	<b>29</b>

# 1. BEFORE YOU BEGIN

## What Is Included

- Intimidator Hybrid 140SR
- Power Cord
- Hanging Bracket
- Warranty Card
- Quick Reference Guide

## Unpacking Instructions

Carefully unpack the product immediately and check the container to make sure all the parts are in the package and are in good condition.

## Claims





If the box or the contents (the product and included accessories) appear damaged from shipping, or show signs of mishandling, notify the carrier immediately, not Chauvet. Failure to report damage to the carrier immediately may invalidate your claim. In addition, keep the box and contents for inspection.

For other issues, such as missing components or parts, damage not related to shipping, or concealed damage, file a claim with Chauvet within 7 days of delivery.

## Text Conventions

CONVENTION	MEANING
<b>1–512</b>	A range of values
<b>50/60</b>	A set of values of which only one can be chosen
<b>Settings</b>	A menu option not to be modified
<b>&lt;ENTER&gt;</b>	A key to be pressed on the product’s control panel
<b>ON</b>	A value to be entered or selected

## Symbols

SYMBOL	MEANING
	Electrical warning. Not following these instructions may cause electrical damage to the product, accessories, or the user.
	Critical installation, configuration, or operation information. Not following these instructions may make the product not work, cause damage to the product, or cause harm to the operator.
	Important installation or configuration information. The product may not function correctly if this information is not used.
	Useful information.

## Disclaimer

Chauvet believes that the information contained in this manual is accurate in all respects. However, Chauvet assumes no responsibility and specifically disclaims any and all liability to any party for any loss, damage or disruption caused by any errors or omissions in this document, whether such errors or omissions result from negligence, accident or any other cause. Chauvet reserves the right to revise the content of this document without any obligation to notify any person or company of such revision, however, Chauvet has no obligation to make, and does not commit to make, any such revisions. Download the latest version from [www.chauvetdj.com](http://www.chauvetdj.com).

The works of authorship contained in this manual, including, but not limited to, all design, text and images are owned by Chauvet.

© Copyright 2016 Chauvet & Sons, LLC. All rights reserved.

Electronically published by Chauvet in the United States of America.

CHAUVET, the Chauvet logo, and Intimidator Hybrid 140SR are registered trademarks or trademarks of Chauvet & Sons LLC (d/b/a Chauvet and Chauvet Lighting) in the United States and other countries. Other company and product names and logos referred to herein may be trademarks of their respective companies.

## Product at a Glance

Use on Dimmer	⊘	Auto Programs	✓
Outdoor Use	⊘	Auto-ranging Power Supply	✓
Sound-Active	✓	Replaceable Fuse	✓
DMX	✓	User-Serviceable	⊘
Master/Slave	✓		

## Safety Notes



- Always connect the product to a grounded circuit to avoid the risk of electrocution.
- Always disconnect the product from the power source before cleaning or replacing the fuse.
- Avoid direct eye exposure to the light source while the product is on.
- Make sure the power cord is not crimped or damaged.
- Never disconnect the product from power cord by pulling or tugging on the cord.
- If mounting the product overhead, always secure to a fastening device using a safety cable.
- Make sure there are no flammable materials close to the product when operating.
- Do not touch the product's housing when operating because it may be very hot.



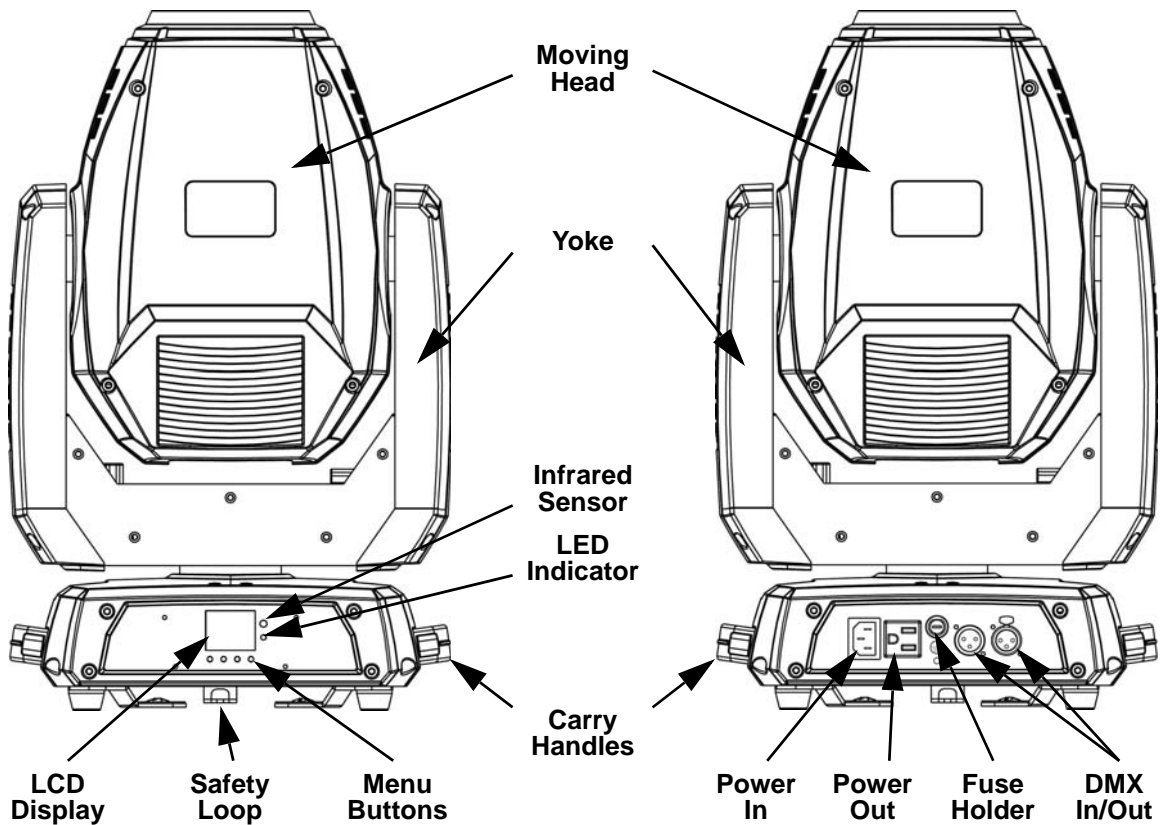
- Always make sure that the voltage of the outlet to which you are connecting the product is within the range stated on the decal or rear panel of the product.
- The product is for indoor use only! (IP20) To prevent risk of fire or shock, do not expose the product to rain or moisture.
- Always install the product in a location with adequate ventilation, at least 20 in (50 cm) from adjacent surfaces.
- Be sure that no ventilation slots on the product's housing are blocked.
- Never connect the product to a dimmer.
- Make sure to replace the fuse with another of the same type and rating.
- Never carry the product from the power cord or any moving part. Always use the hanging/mounting bracket.
- The maximum ambient temperature (Ta) is 104 °F (40 °C). Do not operate the product at higher temperatures.
- In the event of a serious operating problem, stop using the product immediately.
- Never try to repair the product. Repairs carried out by unskilled people can lead to damage or malfunction. Please contact the nearest authorized technical assistance center.
- To eliminate unnecessary wear and improve its lifespan, during periods of non-use completely disconnect the product from power via breaker or by unplugging it.



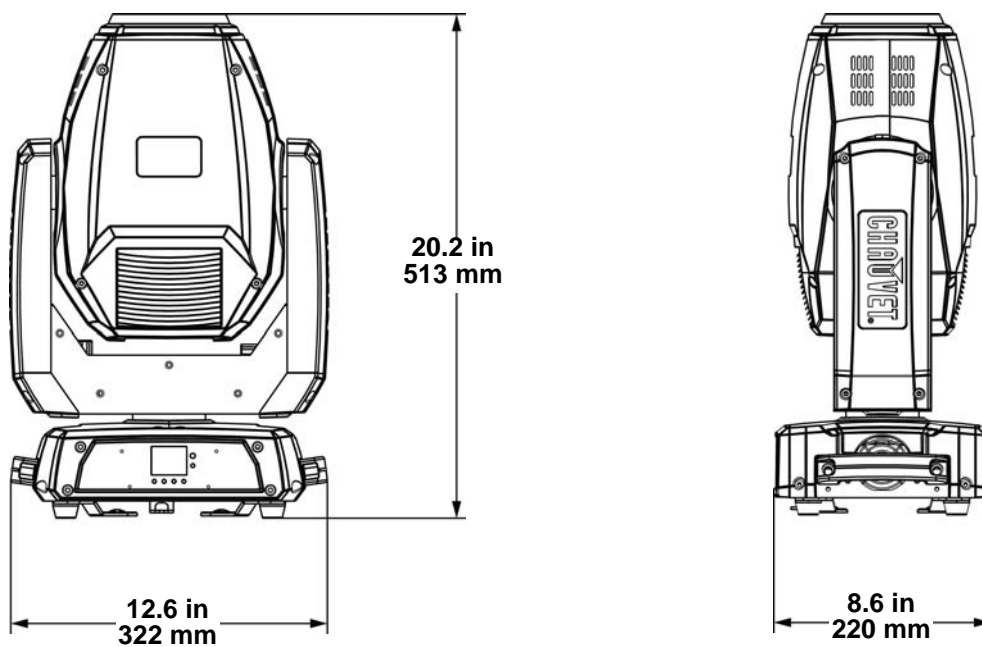
Keep this User Manual for future use. If you sell the product to someone else, be sure that they also receive this document.

## 2. INTRODUCTION

### Product Overview





### Product Dimensions



### 3. SETUP

#### AC Power

The Intimidator Hybrid 140SR has an auto-ranging power supply and it can work with an input voltage range of 100 to 240 VAC, 50/60 Hz. To determine the product's power requirements (circuit breaker, power outlet, and wiring), use the current value listed on the label affixed to the product's back panel, or refer to the product's specifications chart. The listed current rating indicates the product's average current draw under normal conditions.

- 
  - **Always connect the product to a protected circuit (a circuit breaker or fuse). Make sure the product has an appropriate electrical ground to avoid the risk of electrocution or fire.**
  - **To eliminate unnecessary wear and improve its lifespan, during periods of non-use completely disconnect the product from power via breaker or by unplugging it.**
- 
  - **Never connect the product to a rheostat (variable resistor) or dimmer circuit, even if the rheostat or dimmer channel serves only as a 0 to 100% switch.**

#### Fuse Replacement

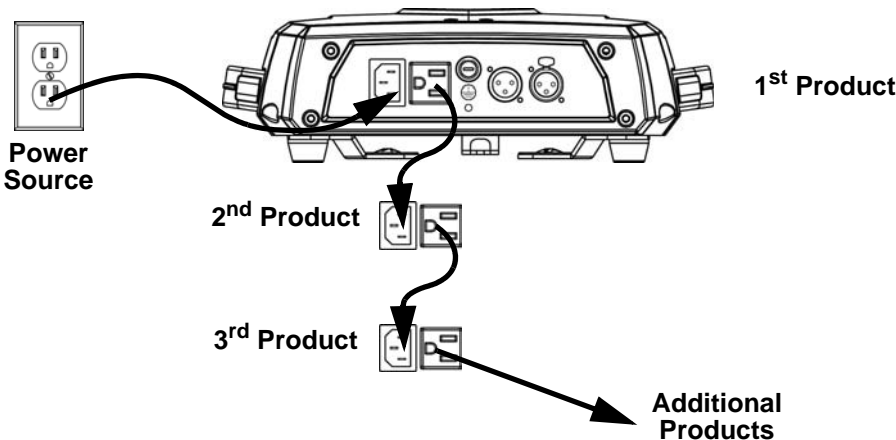
1. Disconnect the product from power.
2. Using a flat-head screwdriver, unscrew the fuse holder cap from the housing.
3. Remove the blown fuse.
4. Replace with a fuse of the same type and rating.
5. Screw the fuse holder cap back in place and reconnect power.



 **Disconnect the product from the power outlet before replacing the fuse.**

#### Power Linking

The product provides power linking via the Edison outlet located in the back of the product. Please see the diagram below for further explanation.

#### Power Linking Diagram



- 
  - **You can power link up to 3 Intimidator Hybrid 140SR products on 120 VAC or up to 6 Intimidator Hybrid 140SR products on 230 VAC.**
- **The power linking diagram corresponds to the North American version of the product ONLY! If using the product in other markets, you must consult with the local Chauvet distributor as power linking connectors and requirements may differ in your country or region.**
- 
  - **Warning! When power linking this product, lamp ignitions must be offset to avoid high inrush currents. The ignition delay of the first product in a power linking chain must be set to no less than five seconds. The ignition delay of each subsequent product in the chain must be at least five seconds more than the previous product.**

## Mounting

Before mounting the product, read and follow the safety recommendations indicated in the [Safety Notes](#).

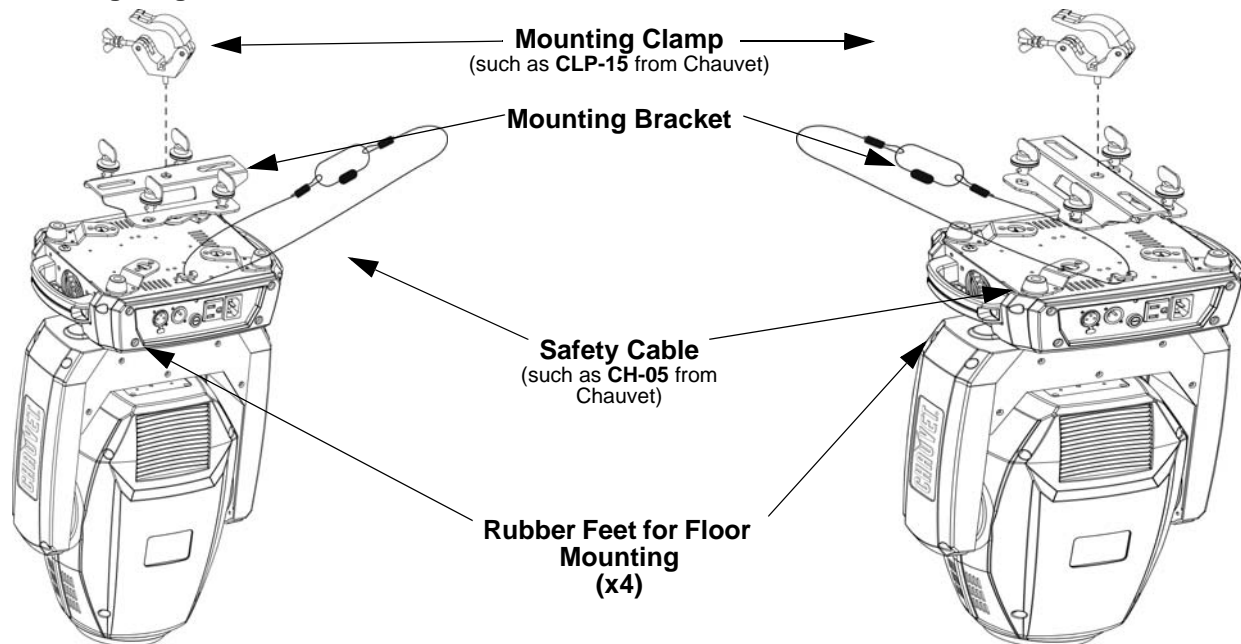
### Orientation

The Intimidator Hybrid 140SR may be mounted in any position; however, make sure adequate ventilation is provided around the product.

### Rigging

- Before deciding on a location, always make sure there is easy access to the product for maintenance and programming purposes.
- Make sure adequate ventilation is provided around the product.
- Make sure that the structure or surface onto which you are mounting the product can support the product's weight. (see the [Technical Specifications](#))
- When mounting the product overhead, always use a safety cable. Mount the product securely to a rigging point, whether an elevated platform or a truss.
- When rigging the product onto a truss, use a mounting clamp of appropriate weight capacity.
- When power linking multiple products, mount the products close enough for power linking cables to reach.
- The bracket adjustment knobs allow for directional adjustment when aiming the product to the desired angle. Only loosen or tighten the bracket knobs manually. Using tools could damage the knobs.
- The rubber feet also serve as floor supports. When mounting the product on the floor, make sure that the product and cables are away from people and vehicles.

### Mounting Diagram





## 4. OPERATION

### Control Panel Operation

To access the control panel functions, use the four buttons located underneath the display. Please refer to the [Product Overview](#) to see the button locations on the control panel.

BUTTON	FUNCTION
<MENU>	Press to find an operation mode or to back out of the current menu option
<UP>	Press to scroll up the list of options or to find a higher value
<DOWN>	Press to scroll down the list of options or to find a lower value
<ENTER>	Press to activate a menu option or a selected value

### Menu Map

MAIN LEVEL	PROGRAMMING LEVELS		DESCRIPTION	
Address	001–512		Sets the DMX starting address	
Run Mode	DMX	19CH	Selects DMX mode	
		13CH		
	Slave	Slave1–4	Selects Slave mode 1, 2, 3, or 4	
	Auto		Selects Auto mode	
	Sound		Selects Sound mode	
	IR		Selects infrared control	
	Manual	Pan	000–255	0–540°
		Tilt		0–270°
		Color		Selects color options
		Gobo2		Selects static gobo options
		Gobo1		Selects rotating gobo options
		Gobo1 Rotate		Rotates gobo
		Prism1		Selects 8-facet prism, and rotation effect
		Prism2		Selects 6-facet prism, and rotation effect
		Focus		Manual focus control
Zoom		Manual zoom control		
Frost		Selects frost effect		
Dimmer		Sets dimmer value		
Shutter	Sets shutter value and strobe effect			
Setup	Pan Reverse	OFF	Normal pan operation	
		ON	Reverse pan operation	
	Tilt Reverse	OFF	Normal tilt operation	
		ON	Reverse tilt operation	
	Screen Reverse	OFF	Normal display	
		ON	Reverse display	
	Pan Angle	540	Selects the 540° pan angle range	
		360	Selects the 360° pan angle range	
		180	Selects the 180° pan angle range	
	Tilt Angle	270	Selects the 270° tilt angle range	
180		Selects the 180° tilt angle range		
90		Selects the 90° tilt angle range		

MAIN LEVEL	PROGRAMMING LEVELS		DESCRIPTION	
Setup (cont.)	Totem Mode		OFF	Totem mode off
			UP	Selects upward pan and tilt range
			DOWN	Selects downward pan and tilt range
	Sensitivity		001–100	Sets sound sensitivity
	Lamp Setting	On/Off	ON	Turns lamp on/off
			OFF	
		State/Power On	OFF	Defines the status of lamp when powering up product
			ON	
		Off Via DMX	NO	Enables lamp control through DMX
			YES	
		On If DMX On	NO	Turns lamp on if DMX signal is detected
			YES	
		Off If DMX Off	NO	Turns lamp off when DMX signal is lost
			YES	
		Ignition Delay	000–255	Defines number of seconds after product powers on before lamp turns on
		Low Power Delay	000–255	Selects duration of delay between shutter closing and lamp entering low power mode
	Reset Lamp Timer	NO	Resets lamp timer (for when lamp is replaced)	
		YES		
	Lamp Power	132	Select if installed lamp is 132 W Osram HRI	
		140	Select if installed lamp is 140 W Osram HRI	
	Special Set	Interval	10–250	Defines number of hours between maintenance
		Remain Time	NO	Resets maintenance timer
			RESET	
Reset			Resets the product	
Factory Set			Loads factory defaults	
Sys Info	Ver:	V_	Displays the software version	
	Running Mode	-----	Displays the current running mode	
	DMX Address	---	Displays the current DMX address	
	Lamp On Time	-----	Displays how long the lamp has been running	
	Remain Time	-----	Displays time remaining in maintenance cycle	

## Configuration (DMX)

The Intimidator Hybrid 140SR works with a DMX controller. Information about DMX is in the CHAUVET DMX Primer, which is available from the Chauvet website [http://www.chauvetlighting.com/downloads/DMX\\_Primer\\_rev05\\_WO.pdf](http://www.chauvetlighting.com/downloads/DMX_Primer_rev05_WO.pdf).

### Starting Address

When selecting a starting DMX address, always consider the number of DMX channels the selected DMX mode uses. If you choose a starting address that is too high, you could restrict the access to some of the product's channels.

The Intimidator Hybrid 140SR uses up to 19 DMX channels, which defines the highest configurable address to **494**.

If you are not familiar with the DMX protocol, download the DMX Primer from [www.chauvetdj.com](http://www.chauvetdj.com).

To select the starting address, do the following:

1. Press **<MENU>**.
2. Use **<UP>** or **<DOWN>** to select **Address**.
3. Press **<ENTER>**.
4. Use **<UP>** or **<DOWN>** to select the starting address, from **001–512**.
5. Press **<ENTER>**.

### DMX Personalities

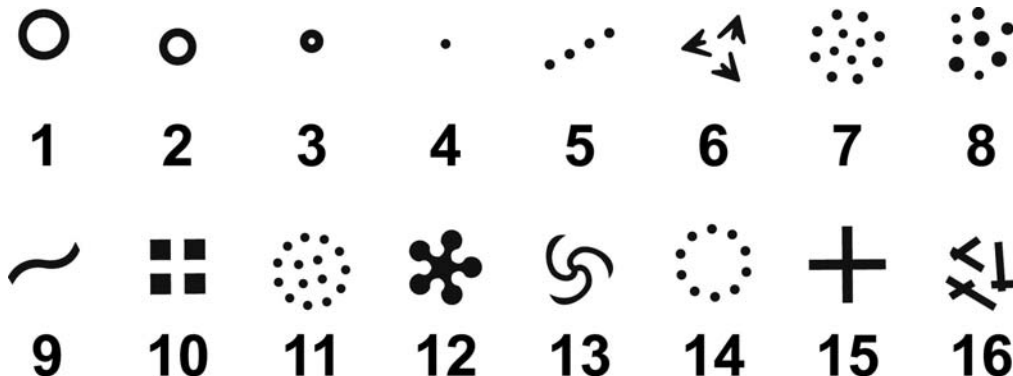
The Intimidator Hybrid 140SR has two DMX personalities, a 14-channel personality, and an 8-channel personality.

To choose which DMX personality to use, follow the steps below:

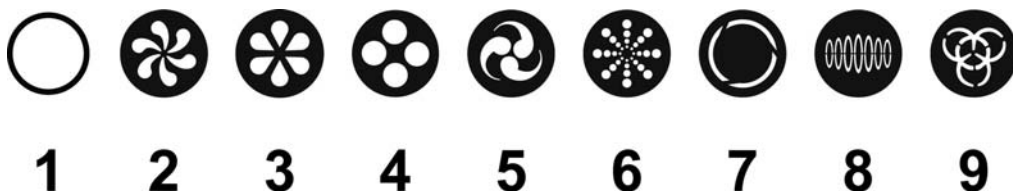
1. Press **<MENU>**.
2. Use **<UP>** or **<DOWN>** to select **Run Mode**.
3. Press **<ENTER>**.
4. Use **<UP>** or **<DOWN>** to select **DMX**.
5. Press **<ENTER>**.
6. Use **<UP>** or **<DOWN>** to select the DMX personality, from **19CH** or **13CH**.
7. Press **<ENTER>**.

### Gobos

#### Static Gobo Wheel



#### Rotating Gobo Wheel



## DMX Channel Assignments and Values

### 19Ch

CHANNEL	FUNCTION	VALUE	PERCENT/SETTING
1	Pan	000 ⇔ 255	0–540°
2	Pan Fine	000 ⇔ 255	Fine control of panning
3	Tilt	000 ⇔ 255	0–270°
4	Tilt Fine	000 ⇔ 255	Fine control of tilting
5	Pan/Tilt Speed	000 ⇔ 255	Pan/Tilt speed, fast to slow
6	Color Wheel	000 ⇔ 003	White
		004 ⇔ 007	Red
		008 ⇔ 011	Yellow
		012 ⇔ 015	Green
		016 ⇔ 019	Sky Blue
		020 ⇔ 023	Lavender
		024 ⇔ 028	Canary Yellow
		029 ⇔ 033	Blue
		034 ⇔ 038	Magenta
		039 ⇔ 043	Lime Green
		044 ⇔ 048	Natural White
		049 ⇔ 053	Cool White
		054 ⇔ 059	Ultraviolet
		060 ⇔ 187	Color indexing
		188 ⇔ 219	Color cycling rainbow, fast to slow
220 ⇔ 223	Stop		
224 ⇔ 255	Reverse color cycling rainbow, slow to fast		

## 19Ch (cont.)

CHANNEL	FUNCTION	VALUE	PERCENT/SETTING
7	Static Gobo Wheel (see <a href="#">Gobos</a> )	000 ⇔ 002	Open
		003 ⇔ 005	Gobo 1
		006 ⇔ 008	Gobo 2
		009 ⇔ 011	Gobo 3
		012 ⇔ 014	Gobo 4
		015 ⇔ 017	Gobo 5
		018 ⇔ 020	Gobo 6
		021 ⇔ 023	Gobo 7
		024 ⇔ 026	Gobo 8
		027 ⇔ 029	Gobo 9
		030 ⇔ 032	Gobo 10
		033 ⇔ 035	Gobo 11
		036 ⇔ 038	Gobo 12
		039 ⇔ 041	Gobo 13
		040 ⇔ 044	Gobo 14
		045 ⇔ 047	Gobo 15
		048 ⇔ 050	Gobo 16
		051 ⇔ 054	Gobo 16 shake, slow to fast
		055 ⇔ 058	Gobo 15 shake, slow to fast
		059 ⇔ 062	Gobo 14 shake, slow to fast
		063 ⇔ 066	Gobo 13 shake, slow to fast
		067 ⇔ 070	Gobo 12 shake, slow to fast
		071 ⇔ 074	Gobo 11 shake, slow to fast
		075 ⇔ 078	Gobo 10 shake, slow to fast
		079 ⇔ 082	Gobo 9 shake, slow to fast
		083 ⇔ 086	Gobo 8 shake, slow to fast
		087 ⇔ 090	Gobo 7 shake, slow to fast
		091 ⇔ 094	Gobo 6 shake, slow to fast
		095 ⇔ 098	Gobo 5 shake, slow to fast
		099 ⇔ 102	Gobo 4 shake, slow to fast
		103 ⇔ 106	Gobo 3 shake, slow to fast
		107 ⇔ 110	Gobo 2 shake, slow to fast
		111 ⇔ 114	Gobo 1 shake, slow to fast
		115 ⇔ 127	Open
128 ⇔ 189	Cycle effect, fast to slow		
190 ⇔ 193	Stop		
194 ⇔ 255	Reverse cycle effect, slow to fast		

**19Ch (cont.)**

CHANNEL	FUNCTION	VALUE	PERCENT/SETTING
<b>8</b>	<b>Rotating Gobo Wheel</b> (see <a href="#">Gobos</a> )	000 ⇔ 011	Open
		012 ⇔ 017	Gobo 1
		018 ⇔ 023	Gobo 2
		024 ⇔ 029	Gobo 3
		030 ⇔ 035	Gobo 4
		036 ⇔ 041	Gobo 5
		042 ⇔ 047	Gobo 6
		048 ⇔ 053	Gobo 7
		054 ⇔ 063	Gobo 8
		064 ⇔ 073	Gobo 8 shake, slow to fast
		074 ⇔ 079	Gobo 7 shake, slow to fast
		080 ⇔ 085	Gobo 6 shake, slow to fast
		086 ⇔ 091	Gobo 5 shake, slow to fast
		092 ⇔ 097	Gobo 4 shake, slow to fast
		098 ⇔ 103	Gobo 3 shake, slow to fast
		104 ⇔ 109	Gobo 2 shake, slow to fast
		110 ⇔ 115	Gobo 1 shake, slow to fast
		116 ⇔ 127	Open
		128 ⇔ 189	Cycle effect, fast to slow
		190 ⇔ 193	Stop
194 ⇔ 255	Reverse cycle effect, slow to fast		
<b>9</b>	<b>Gobo Rotation</b>	000	No function
		001 ⇔ 063	Gobo indexing
		064 ⇔ 144	Rotation, fast to slow
		145 ⇔ 151	Stop
		152 ⇔ 231	Reverse rotation, slow to fast
		232 ⇔ 255	Bounce, slow to fast
<b>10</b>	<b>Prism 1</b>	000 ⇔ 007	No function
		008 ⇔ 012	8-facet prism
		013 ⇔ 130	Rotation, slow to fast
		131 ⇔ 247	Reverse rotation, slow to fast
		248 ⇔ 255	8-facet prism
<b>11</b>	<b>Prism 2</b>	000 ⇔ 007	No function
		008 ⇔ 012	6-facet prism
		013 ⇔ 130	Rotation, slow to fast
		131 ⇔ 247	Reverse rotation, slow to fast
		248 ⇔ 255	6-facet prism
<b>12</b>	<b>Focus</b>	000 ⇔ 255	Focus, big to small
<b>13</b>	<b>Auto Focus</b>	000 ⇔ 010	No function
		011 ⇔ 127	Auto focus Gobo 1
		128 ⇔ 255	Auto focus Gobo 2
<b>14</b>	<b>Zoom</b>	000 ⇔ 255	Zoom out to zoom in
<b>15</b>	<b>Frost</b>	000 ⇔ 255	0–100%

19Ch (cont.)

CHANNEL	FUNCTION	VALUE	PERCENT/SETTING
16	Dimmer	000 ⇔ 255	0–100%
17	Shutter	000 ⇔ 007	Closed
		008 ⇔ 015	Open
		016 ⇔ 131	Strobe, slow to fast
		132 ⇔ 167	Slow open, fast close, slow to fast
		168 ⇔ 203	Fast open, slow close, slow to fast
		204 ⇔ 239	Pulse strobe, slow to fast
		240 ⇔ 247	Random strobe, slow to fast
		248 ⇔ 255	Open
18	Function	000 ⇔ 007	No function
		008 ⇔ 015	Blackout on pan/tilt movement
		016 ⇔ 023	Blackout on color wheel movement
		024 ⇔ 031	Blackout on gobo wheel movement
		032 ⇔ 039	Blackout on pan/tilt/color wheel movement
		040 ⇔ 047	Blackout on pan/tilt/gobo wheel movement
		048 ⇔ 055	Blackout on pan/tilt/color/gobo wheel movement
		056 ⇔ 087	No function
		088 ⇔ 095	Lamp On
		096 ⇔ 103	Pan reset
		104 ⇔ 111	Tilt reset
		112 ⇔ 119	Color wheel reset
		120 ⇔ 127	Gobo wheels reset
		128 ⇔ 135	Frost reset
		136 ⇔ 143	Prism reset
		144 ⇔ 151	Focus and zoom reset
		152 ⇔ 159	All reset
		160 ⇔ 167	Shutter reset
168 ⇔ 231	No function		
232 ⇔ 239	Lamp Off		
240 ⇔ 255	No function		

19Ch (cont.)

CHANNEL	FUNCTION	VALUE	PERCENT/SETTING
19	Movement Macros	000 ⇔ 007	No function
		008 ⇔ 023	Movement macro 1
		024 ⇔ 039	Movement macro 2
		040 ⇔ 055	Movement macro 3
		056 ⇔ 071	Movement macro 4
		072 ⇔ 087	Movement macro 5
		088 ⇔ 103	Movement macro 6
		104 ⇔ 119	Movement macro 7
		120 ⇔ 135	Movement macro 8
		136 ⇔ 151	Sound-active movement macro 1
		152 ⇔ 167	Sound-active movement macro 2
		168 ⇔ 183	Sound-active movement macro 3
		184 ⇔ 199	Sound-active movement macro 4
		200 ⇔ 215	Sound-active movement macro 5
		216 ⇔ 231	Sound-active movement macro 6
		232 ⇔ 247	Sound-active movement macro 7
		248 ⇔ 255	Sound-active movement macro 8

13Ch

CHANNEL	FUNCTION	VALUE	PERCENT/SETTING
1	Pan	000 ⇔ 255	0–540°
2	Tilt	000 ⇔ 255	0–270°
3	Color Wheel	000 ⇔ 003	White
		004 ⇔ 007	Red
		008 ⇔ 011	Yellow
		012 ⇔ 015	Green
		016 ⇔ 019	Sky Blue
		020 ⇔ 023	Lavender
		024 ⇔ 028	Canary Yellow
		029 ⇔ 033	Blue
		034 ⇔ 038	Magenta
		039 ⇔ 043	Lime Green
		044 ⇔ 048	Natural White
		049 ⇔ 053	Cool White
		054 ⇔ 059	Ultraviolet
		060 ⇔ 187	Color indexing
		188 ⇔ 219	Color cycling rainbow, fast to slow
220 ⇔ 223	Stop		
224 ⇔ 255	Reverse color cycling rainbow, slow to fast		



## 13Ch (cont.)

CHANNEL	FUNCTION	VALUE	PERCENT/SETTING
4	Static Gobo Wheel (see <a href="#">Gobos</a> )	000 ⇔ 002	Open
		003 ⇔ 005	Gobo 1
		006 ⇔ 008	Gobo 2
		009 ⇔ 011	Gobo 3
		012 ⇔ 014	Gobo 4
		015 ⇔ 017	Gobo 5
		018 ⇔ 020	Gobo 6
		021 ⇔ 023	Gobo 7
		024 ⇔ 026	Gobo 8
		027 ⇔ 029	Gobo 9
		030 ⇔ 032	Gobo 10
		033 ⇔ 035	Gobo 11
		036 ⇔ 038	Gobo 12
		039 ⇔ 041	Gobo 13
		040 ⇔ 044	Gobo 14
		045 ⇔ 047	Gobo 15
		048 ⇔ 050	Gobo 16
		051 ⇔ 054	Gobo 16 shake, slow to fast
		055 ⇔ 058	Gobo 15 shake, slow to fast
		059 ⇔ 062	Gobo 14 shake, slow to fast
		063 ⇔ 066	Gobo 13 shake, slow to fast
		067 ⇔ 070	Gobo 12 shake, slow to fast
		071 ⇔ 074	Gobo 11 shake, slow to fast
		075 ⇔ 078	Gobo 10 shake, slow to fast
		079 ⇔ 082	Gobo 9 shake, slow to fast
		083 ⇔ 086	Gobo 8 shake, slow to fast
		087 ⇔ 090	Gobo 7 shake, slow to fast
		091 ⇔ 094	Gobo 6 shake, slow to fast
		095 ⇔ 098	Gobo 5 shake, slow to fast
		099 ⇔ 102	Gobo 4 shake, slow to fast
		103 ⇔ 106	Gobo 3 shake, slow to fast
		107 ⇔ 110	Gobo 2 shake, slow to fast
		111 ⇔ 114	Gobo 1 shake, slow to fast
115 ⇔ 127	Open		
128 ⇔ 189	Cycle effect, fast to slow		
190 ⇔ 193	Stop		
194 ⇔ 255	Reverse cycle effect, slow to fast		

**13Ch (cont.)**

CHANNEL	FUNCTION	VALUE	PERCENT/SETTING
<b>5</b>	<b>Rotating Gobo Wheel</b> (see <a href="#">Gobos</a> )	000 ⇔ 011	Open
		012 ⇔ 017	Gobo 1
		018 ⇔ 023	Gobo 2
		024 ⇔ 029	Gobo 3
		030 ⇔ 035	Gobo 4
		036 ⇔ 041	Gobo 5
		042 ⇔ 047	Gobo 6
		048 ⇔ 053	Gobo 7
		054 ⇔ 063	Gobo 8
		064 ⇔ 073	Gobo 8 shake, slow to fast
		074 ⇔ 079	Gobo 7 shake, slow to fast
		080 ⇔ 085	Gobo 6 shake, slow to fast
		086 ⇔ 091	Gobo 5 shake, slow to fast
		092 ⇔ 097	Gobo 4 shake, slow to fast
		098 ⇔ 103	Gobo 3 shake, slow to fast
		104 ⇔ 109	Gobo 2 shake, slow to fast
		110 ⇔ 115	Gobo 1 shake, slow to fast
		116 ⇔ 127	Open
		128 ⇔ 189	Cycle effect, fast to slow
		190 ⇔ 193	Stop
194 ⇔ 255	Reverse cycle effect, slow to fast		
<b>6</b>	<b>Gobo Rotation</b>	000	No function
		001 ⇔ 063	Gobo indexing
		064 ⇔ 155	Rotation, fast to slow
		156 ⇔ 231	Reverse rotation, slow to fast
		232 ⇔ 255	Bounce, slow to fast
<b>7</b>	<b>Prism 1</b>	000 ⇔ 007	No function
		008 ⇔ 012	8-facet prism
		013 ⇔ 130	Rotation, slow to fast
		131 ⇔ 247	Reverse rotation, slow to fast
		248 ⇔ 255	8-facet prism
<b>8</b>	<b>Prism 2</b>	000 ⇔ 007	No function
		008 ⇔ 012	6-facet prism
		013 ⇔ 130	Rotation, slow to fast
		131 ⇔ 247	Reverse rotation, slow to fast
		248 ⇔ 255	6-facet prism
<b>9</b>	<b>Focus</b>	000 ⇔ 255	Focus, big to small
<b>10</b>	<b>Auto Focus</b>	000 ⇔ 010	No function
		011 ⇔ 127	Auto focus Gobo 1
		128 ⇔ 255	Auto focus Gobo 2
<b>11</b>	<b>Zoom</b>	000 ⇔ 255	Zoom out to zoom in
<b>12</b>	<b>Frost</b>	000 ⇔ 255	0–100%

## 13Ch (cont.)

CHANNEL	FUNCTION	VALUE	PERCENT/SETTING
13	Shutter	000 ⇔ 007	Closed
		008 ⇔ 015	Open
		016 ⇔ 131	Strobe, slow to fast
		132 ⇔ 167	Slow open, fast close, slow to fast
		168 ⇔ 203	Fast open, slow close, slow to fast
		204 ⇔ 239	Pulse strobe, slow to fast
		240 ⇔ 247	Random strobe, slow to fast
		248 ⇔ 255	Open

## Configuration (Standalone)

Set the product in one of the standalone modes to control without a DMX controller.



**Never connect a product that is operating in any standalone mode to a DMX string connected to a DMX controller. Products in standalone mode may transmit DMX signals that could interfere with the DMX signals from the controller.**

### Automatic Programs

To run the Intimidator Hybrid 140SR in automatic mode, follow the instructions below:

1. Press **<MENU>**.
2. Use **<UP>** or **<DOWN>** to select **Run Mode**.
3. Press **<ENTER>**.
4. Use **<UP>** or **<DOWN>** to select **Auto**.
5. Press **<ENTER>**.

### Sound-Active Mode

To run the Intimidator Hybrid 140SR in sound-active mode, do the following:

1. Press **<MENU>**.
2. Use **<UP>** or **<DOWN>** to select **Run Mode**.
3. Press **<ENTER>**.
4. Use **<UP>** or **<DOWN>** to select **Sound**.
5. Press **<ENTER>**.

### Sound Sensitivity

To change the sound sensitivity on the Intimidator Hybrid 140SR, follow the instructions below:

1. Press **<MENU>**.
2. Use **<UP>** or **<DOWN>** to select **Setup**.
3. Press **<ENTER>**.
4. Use **<UP>** or **<DOWN>** to select **Sensitivity**.
5. Press **<ENTER>**.
6. Use **<UP>** or **<DOWN>** to increase or decrease the sound sensitivity, from **001–100**.
7. Press **<ENTER>**.



**The product will only respond to low frequencies of music (bass and drums).**

## Manual Mode

To operate the Intimidator Hybrid 140SR manually through the menu, do the following:

1. Press **<MENU>**.
2. Use **<UP>** or **<DOWN>** to select **Run Mode**.
3. Press **<ENTER>**.
4. Use **<UP>** or **<DOWN>** to select **Manual**.
5. Press **<ENTER>**.
6. Use **<UP>** or **<DOWN>** to select from **Pan**, **Tilt**, **Color**, **Gobo2** (static gobo wheel), **Gobo1** (rotating gobo wheel), **Prism1** (8-facet), **Prism2** (6-facet), **Focus**, **Zoom**, **Frost**, **Dimmer**, or **Shutter**.
7. Press **<ENTER>**.
8. Use **<UP>** or **<DOWN>** to increase or decrease the value of the function, from **000–255**.
9. Press **<ENTER>**.
10. Repeat steps 6-9 until the product is set as desired.

## Configuration (Settings)

### Pan Reverse

To set the pan orientation on the Intimidator Hybrid 140SR, follow the instructions below:

1. Press **<MENU>**.
2. Use **<UP>** or **<DOWN>** to select **Setup**.
3. Press **<ENTER>**.
4. Use **<UP>** or **<DOWN>** to select **Pan Reverse**.
5. Press **<ENTER>**.
6. Use **<UP>** or **<DOWN>** to select **OFF** (normal pan orientation) or **ON** (reverse pan orientation).
7. Press **<ENTER>**.

### Tilt Reverse

To set the tilt orientation on the Intimidator Hybrid 140SR, do the following:

1. Press **<MENU>**.
2. Use **<UP>** or **<DOWN>** to select **Setup**.
3. Press **<ENTER>**.
4. Use **<UP>** or **<DOWN>** to select **Tilt Reverse**.
5. Press **<ENTER>**.
6. Use **<UP>** or **<DOWN>** to select **OFF** (normal tilt orientation) or **ON** (reverse tilt orientation).
7. Press **<ENTER>**.

### Screen Reverse

To set the display orientation on the Intimidator Hybrid 140SR, follow the instructions below:

1. Press **<MENU>**.
2. Use **<UP>** or **<DOWN>** to select **Setup**.
3. Press **<ENTER>**.
4. Use **<UP>** or **<DOWN>** to select **Screen Reverse**.
5. Press **<ENTER>**.
6. Use **<UP>** or **<DOWN>** to select **OFF** (normal display orientation) or **ON** (reverse display orientation).
7. Press **<ENTER>**.

### Pan Angle

To set the pan angle range on the Intimidator Hybrid 140SR, do the following:

1. Press **<MENU>**.
2. Use **<UP>** or **<DOWN>** to select **Setup**.
3. Press **<ENTER>**.
4. Use **<UP>** or **<DOWN>** to select **Pan Angle**.
5. Press **<ENTER>**.
6. Use **<UP>** or **<DOWN>** to select from **540** (540°), **360** (360°), or **180** (180°).
7. Press **<ENTER>**.

### Tilt Angle

To set the tilt angle range on the Intimidator Hybrid 140SR, follow the instructions below:

1. Press **<MENU>**.
2. Use **<UP>** or **<DOWN>** to select **Setup**.
3. Press **<ENTER>**.
4. Use **<UP>** or **<DOWN>** to select **Tilt Angle**.
5. Press **<ENTER>**.
6. Use **<UP>** or **<DOWN>** to select from **270** (270°), **180** (180°), or **90** (90°).
7. Press **<ENTER>**.

### Totem Mode

To activate the Totem mode, do the following:

1. Press **<MENU>**.
2. Use **<UP>** or **<DOWN>** to select **Setup**.
3. Press **<ENTER>**.
4. Use **<UP>** or **<DOWN>** to select **Totem Mode**.
5. Press **<ENTER>**.
6. Use **<UP>** or **<DOWN>** to select **OFF** (normal range of motion), **UP** (upward tilt range), or **DOWN** (downward tilt range).
7. Press **<ENTER>**.

### Lamp Settings

#### Manual Lamp Control

To turn the lamp on or off on the Intimidator Hybrid 140SR, follow the instructions below:

1. Press **<MENU>**.
2. Use **<UP>** or **<DOWN>** to select **Setup**.
3. Press **<ENTER>**.
4. Use **<UP>** or **<DOWN>** to select **Lamp Setting**.
5. Press **<ENTER>**.
6. Use **<UP>** or **<DOWN>** to select **On/Off**.
7. Press **<ENTER>**.
8. Use **<UP>** or **<DOWN>** to select **OFF** or **ON**.
9. Press **<ENTER>**.

#### Lamp State at Power On

To define whether the lamp should be on or off when powering on the Intimidator Hybrid 140SR, do the following:

1. Press **<MENU>**.
2. Use **<UP>** or **<DOWN>** to select **Setup**.
3. Press **<ENTER>**.
4. Use **<UP>** or **<DOWN>** to select **Lamp Setting**.
5. Press **<ENTER>**.
6. Use **<UP>** or **<DOWN>** to select **State/Power On**.
7. Press **<ENTER>**.
8. Use **<UP>** or **<DOWN>** to select **OFF** or **ON**.
9. Press **<ENTER>**.

### Lamp Control Via DMX

To enable or disable the Intimidator Hybrid 140SR lamp from being controllable through DMX, follow the instructions below:

1. Press **<MENU>**.
2. Use **<UP>** or **<DOWN>** to select **Setup**.
3. Press **<ENTER>**.
4. Use **<UP>** or **<DOWN>** to select **Lamp Setting**.
5. Press **<ENTER>**.
6. Use **<UP>** or **<DOWN>** to select **Off Via DMX**.
7. Press **<ENTER>**.
8. Use **<UP>** or **<DOWN>** to select **NO** or **YES**.
9. Press **<ENTER>**.

### On if DMX is On

To set the Intimidator Hybrid 140SR lamp to be on when a DMX signal is present, do the following:

1. Press **<MENU>**.
2. Use **<UP>** or **<DOWN>** to select **Setup**.
3. Press **<ENTER>**.
4. Use **<UP>** or **<DOWN>** to select **Lamp Setting**.
5. Press **<ENTER>**.
6. Use **<UP>** or **<DOWN>** to select **On if DMX On**.
7. Press **<ENTER>**.
8. Use **<UP>** or **<DOWN>** to select **NO** or **YES**.
9. Press **<ENTER>**.

### Off if DMX is Off

To set the Intimidator Hybrid 140SR lamp to be off when there is no DMX signal present, follow the instructions below:

1. Press **<MENU>**.
2. Use **<UP>** or **<DOWN>** to select **Setup**.
3. Press **<ENTER>**.
4. Use **<UP>** or **<DOWN>** to select **Lamp Setting**.
5. Press **<ENTER>**.
6. Use **<UP>** or **<DOWN>** to select **Off if DMX Off**.
7. Press **<ENTER>**.
8. Use **<UP>** or **<DOWN>** to select **NO** or **YES**.
9. Press **<ENTER>**.

### Ignition Delay at Power On

To set the amount of time after power on before the Intimidator Hybrid 140SR lamp turns on, do the following:

1. Press **<MENU>**.
2. Use **<UP>** or **<DOWN>** to select **Setup**.
3. Press **<ENTER>**.
4. Use **<UP>** or **<DOWN>** to select **Lamp Setting**.
5. Press **<ENTER>**.
6. Use **<UP>** or **<DOWN>** to select **Ignition Delay**.
7. Press **<ENTER>**.
8. Use **<UP>** or **<DOWN>** to increase or decrease the delay time, from **000–255** (0 seconds to 255 seconds).
9. Press **<ENTER>**.



**Warning!** When power linking this product, lamp ignitions must be offset to avoid high inrush currents. The ignition delay of the first product in a power linking chain must be set to no less than five seconds. The ignition delay of each subsequent product in the chain must be at least five seconds more than the previous product.

### Low Power Delay with Shutter Closed

To set the amount of time after leaving the shutter closed before the Intimidator Hybrid 140SR lamp enters low power mode, follow the instructions below:

1. Press **<MENU>**.
2. Use **<UP>** or **<DOWN>** to select **Setup**.
3. Press **<ENTER>**.
4. Use **<UP>** or **<DOWN>** to select **Lamp Setting**.
5. Press **<ENTER>**.
6. Use **<UP>** or **<DOWN>** to select **Low Power Delay**.
7. Press **<ENTER>**.
8. Use **<UP>** or **<DOWN>** to increase or decrease the delay time, from **000–255** (0 seconds to 255 seconds).
9. Press **<ENTER>**.

### Reset Lamp Timer

To reset the record of how much time the Intimidator Hybrid 140SR lamp has spent powered on, do the following:

1. Press **<MENU>**.
2. Use **<UP>** or **<DOWN>** to select **Setup**.
3. Press **<ENTER>**.
4. Use **<UP>** or **<DOWN>** to select **Lamp Setting**.
5. Press **<ENTER>**.
6. Use **<UP>** or **<DOWN>** to select **Reset Lamp Timer**.
7. Press **<ENTER>**.
8. Use **<UP>** or **<DOWN>** to select **NO** or **YES**.
9. Press **<ENTER>**.

### Lamp Power

The Intimidator Hybrid 140SR can operate with either a 132 W Osram HRI lamp, or a 140 W Osram HRI lamp.

To set the Intimidator Hybrid 140SR in the correct mode for the installed lamp, follow the instructions below:

1. Press **<MENU>**.
2. Use **<UP>** or **<DOWN>** to select **Setup**.
3. Press **<ENTER>**.
4. Use **<UP>** or **<DOWN>** to select **Lamp Setting**.
5. Press **<ENTER>**.
6. Use **<UP>** or **<DOWN>** to select **Lamp Power**.
7. Press **<ENTER>**.
8. Use **<UP>** or **<DOWN>** to select **132** or **140**.
9. Press **<ENTER>**.

### Maintenance Timer

#### Maintenance Timer Interval

To define the length of the maintenance cycle on the Intimidator Hybrid 140SR, do the following:

1. Press **<MENU>**.
2. Use **<UP>** or **<DOWN>** to select **Setup**.
3. Press **<ENTER>**.
4. Use **<UP>** or **<DOWN>** to select **Special Set**.
5. Press **<ENTER>**.
6. Use **<UP>** or **<DOWN>** to select **Interval**.
7. Press **<ENTER>**.
8. Use **<UP>** or **<DOWN>** to increase or decrease the time, from **10–250** (10 hours to 250 hours).
9. Press **<ENTER>**.

### Reset Maintenance Timer

To reset the Intimidator Hybrid 140SR maintenance timer, follow the instructions below:

1. Press **<MENU>**.
2. Use **<UP>** or **<DOWN>** to select **Setup**.
3. Press **<ENTER>**.
4. Use **<UP>** or **<DOWN>** to select **Special Set**.
5. Press **<ENTER>**.
6. Use **<UP>** or **<DOWN>** to select **Remain Time**.
7. Press **<ENTER>**.
8. Use **<UP>** or **<DOWN>** to select **NO** or **RESET**.
9. Press **<ENTER>**.

### Reset

To reset all functions on the Intimidator Hybrid 140SR, do the following:

1. Press **<MENU>**.
2. Use **<UP>** or **<DOWN>** to select **Setup**.
3. Press **<ENTER>**.
4. Use **<UP>** or **<DOWN>** to select **Reset**.
5. Press **<ENTER>**.

### Factory Reset

To restore the Intimidator Hybrid 140SR to factory default settings, follow the instructions below:

1. Press **<MENU>**.
2. Use **<UP>** or **<DOWN>** to select **Setup**.
3. Press **<ENTER>**.
4. Use **<UP>** or **<DOWN>** to select **Factory Set**.
5. Press **<ENTER>**.

### System Information

To view the system information on the Intimidator Hybrid 140SR, do the following:

1. Press **<MENU>**.
2. Use **<UP>** or **<DOWN>** to select **Sys Info**.
3. Press **<ENTER>**.

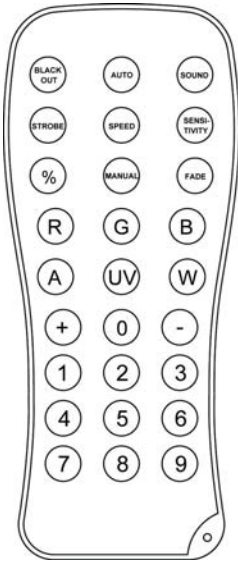


## IRC-6 Infrared Remote Control

The Intimidator Hybrid 140SR is compatible with the IRC-6 infrared remote control from Chauvet. To set the Intimidator Hybrid 140SR to IR mode, follow the instructions below:

1. Press **<MENU>**.
2. Use **<UP>** or **<DOWN>** to select **Run Mode**.
3. Press **<ENTER>**.
4. Press **<UP>** or **<DOWN>** to select **IR**.
5. Press **<ENTER>**.

## IRC-6 Operation



The list below describes which features each button controls:

- **<BLACKOUT>** - Keeps shutter closed.
- **<AUTO>** - Activates Auto mode. Use **<+>**, **<->**, or **<0>**–**<9>** to select an auto program.
- **<SOUND>** - Activates Sound mode.
- **<STROBE>** - Activates Strobe control. Use **<+>** or **<->** to increase or decrease the strobe speed from **00** (off) to **20**
- **<SPEED>** - Sets Pan/Tilt Speed in Auto mode. Use **<+>** or **<->** to increase or decrease the pan/tilt speed from **000** (fastest) to **255** (slowest)
- **<SENSITIVITY>** - Sets Sound Sensitivity. Use **<+>** or **<->** to increase or decrease the sensitivity from **001** (lowest) to **100** (highest)
- **<%>** - Sets Dimmer value. Use **<+>** or **<->** to widen or narrow the shutter.
- **<MANUAL>** - Cycles through gobos (rotating gobos will always rotate).
- **<FADE>** - Cycles through static colors.
- **<R>** - Sets color wheel rotation speed. Use **<+>** or **<->** to increase or decrease the speed from **000** (slowest) to **100** (fastest)
- **<G>** - Sets gobo wheel rotation speed. Use **<+>** or **<->** to increase or decrease the speed from **000** (slowest) to **100** (fastest)
- **<B>** - Activates Auto Color/Gobo mode.
- **<A>** - Sets manual Pan/Tilt values. Press **<A>** to toggle between pan and tilt. Use **<+>** or **<->** to increase or decrease the pan/tilt value, from **000–255**.
- **<UV>/<P>** - sets manual Zoom, Frost, and Focus values. Press **<UV>/<P>** to toggle between zoom, frost, and focus. Use **<+>** or **<->** to increase or decrease the zoom/frost/focus value, from **000–255**.
- **<W>** - Sets manual prism values. Press **<W>** to cycle through Prism 1, Prism 1 Rotation, Prism 2, and Prism 2 Rotation. Use **<+>** or **<->** to increase or decrease the value, from **000–255**.
- **<+>** - Increases a value when in a function.
- **<->** - Decreases a value when in a function.
- **<0>**–**<9>** - Selects Auto programs 0–9.

## Master/Slave Mode

The Master/Slave mode allows a single Intimidator Hybrid 140SR product (the “master”) to control the actions of one or more Intimidator Hybrid 140SR products (the “slaves”) without the need of a DMX controller. The master product will be set to operate in either Stand-Alone mode or with the IRC-6, while the slave products will be set to operate in Slave mode. Once set and connected, the slave products will operate in unison with the master product.

Configure the products as indicated below.

### Slave products:

1. Press **<MENU>**.
2. Use **<UP>** or **<DOWN>** to select **Run Mode**.
3. Press **<ENTER>**.
4. Use **<UP>** or **<DOWN>** to select **Slave**.
5. Press **<ENTER>**.
6. Use **<UP>** or **<DOWN>** to select from **Slave1**, **Slave2**, **Slave3**, or **Slave4**.
  - Select **Slave1** for 100% synchronized actions.
  - Select **Slave2**, **Slave3**, or **Slave4** for a delayed show, creating a wave effect.
7. Connect the DMX input of the first slave product to the DMX output of the master product.
8. Connect the DMX input of the subsequent slave products to the DMX output of the previous slave product.
9. Finish setting and connecting all the slave products.

### Master product:

1. Set the master product to operate in Stand-Alone mode or with the IRC-6.
2. Make the master product the first product in the DMX daisy chain.
  - **Configure all the slave products before connecting the master to the daisy chain.**
  - **Never connect a DMX controller to a DMX string configured for Master/Slave operation because the controller may interfere with the signals from the master.**
  - **Do not connect more than 31 slaves to the master.**



## Zero Adjust Mode

The Intimidator Hybrid 140SR contains a passcode protected mode which allows the user to calibrate and adjust several of the product's operating parameters.

In order to access this mode, do the following:

1. Press and hold **<MENU>** for at least 3 seconds.
2. Use **<UP>** (increases the selected value) and **<DOWN>** (selects the next value) to enter the passcode: **2323**.
3. Press **<ENTER>**.

In this mode, the starting positions for the following can be adjusted:

PARAMETER	DEFAULT	FUNCTION
PAN	048	Pan motor
TILT	146	Tilt motor
COLOR	139	Color wheel
GOBO2	059	Static gobo wheel
GOBO1	121	Rotating gobo wheel
GOBO1 ROTATE	147	Gobo rotation assembly
PRISM1	119	8-facet prism assembly
PRISM2	174	6-facet prism assembly
FOCUS-GOBO1	160	Auto-focus gobo 1
FOCUS-GOBO2	165	Auto-focus gobo 2
ZOOM	157	Zoom assembly
FROST	145	Frost assembly
SHUTTER	136	Shutter assembly

To adjust the starting position of one of these parameters, follow the instructions below:

1. Access the Zero Adjust mode.
2. Use **<UP>** or **<DOWN>** to select the parameter to be adjusted.
3. Press **<ENTER>**.
4. Use **<UP>** or **<DOWN>** to increase or decrease the selected value, from **000–255**.
5. Press **<ENTER>**.

### 5. MAINTENANCE

#### Product Maintenance

Dust build-up reduces light output performance and can cause overheating. This can lead to reduction of the light source's life and/or mechanical wear. To maintain optimum performance and minimize wear, clean your lighting products at least twice a month. However, be aware that usage and environmental conditions could be contributing factors to increase the cleaning frequency.

To clean the product, follow the instructions below:

1. Unplug the product from power.
2. Wait until the product is at room temperature.
3. Use a vacuum (or dry compressed air) and a soft brush to remove dust collected on the external surface/vents.
4. Clean all transparent surfaces with a mild soap solution, ammonia-free glass cleaner, or isopropyl alcohol.
5. Apply the solution directly to a soft, lint free cotton cloth or a lens cleaning tissue.
6. Softly drag any dirt or grime to the outside of the transparent surface.
7. Gently polish the transparent surfaces until they are free of haze and lint.



**Always dry the transparent surfaces carefully after cleaning them.**

#### Lamp Replacement

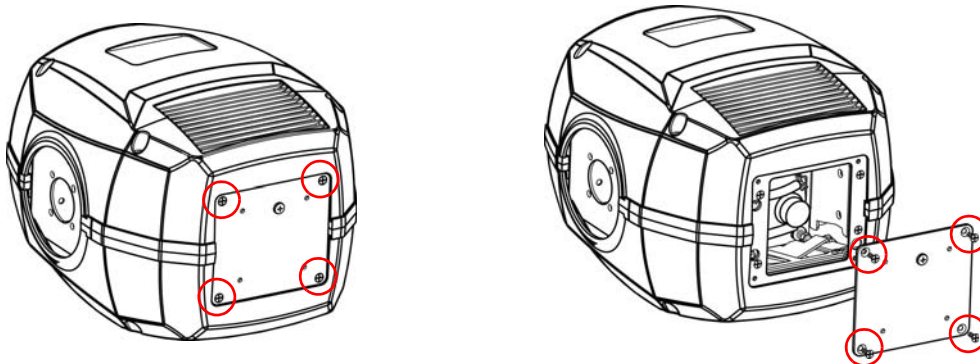
The Intimidator Hybrid 140SR is equipped with a 140 W Osram HRI discharge lamp. Follow the procedure below to safely replace the lamp.



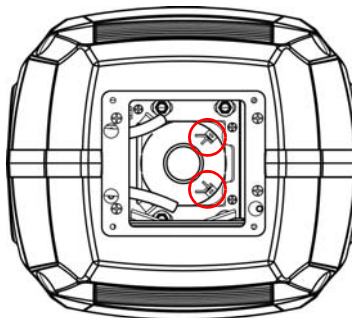
- **Disconnect the product from AC power before opening.**
- **Do not power the product on without a lamp installed.**

#### Procedure

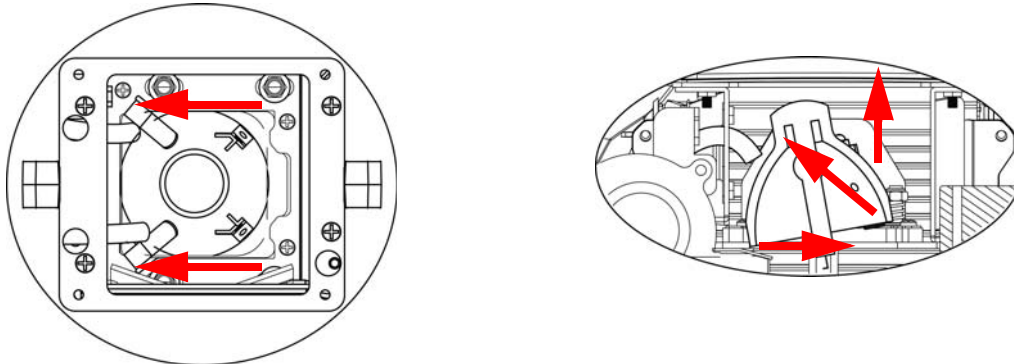
1. Unplug the Intimidator Hybrid 140SR from power.
2. Allow several minutes for the product to cool.
3. Remove 4 screws from the bottom plate of the moving head.



4. Unplug the 2 wires connected to the lamp.





5. Push the lamp against the metal tension plates, lifting up from the open side.



6. Slide the lamp out of the assembly by tilting it against the tension plates.
7. Reverse the procedure to install the new lamp. Ensure the lamp is centered in the assembly.

### Maintaining Lamp Lifespan

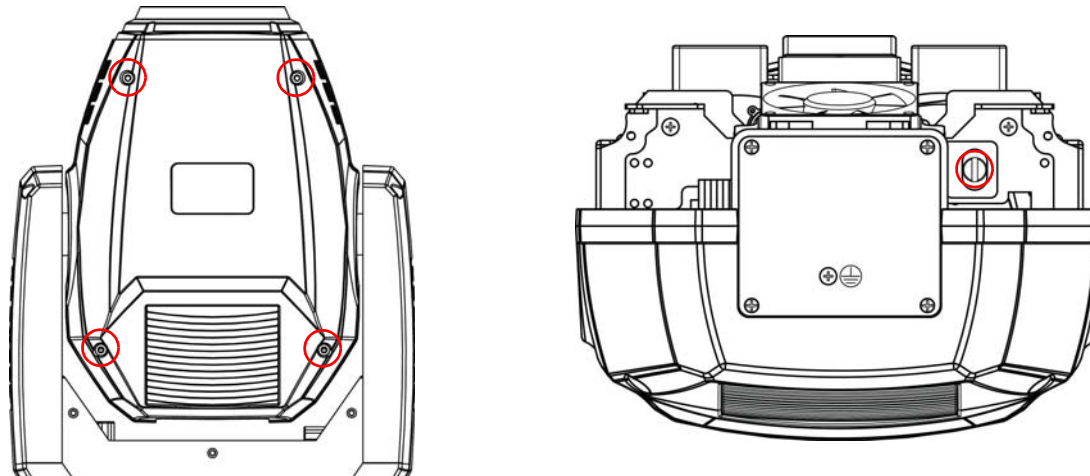
Observe the following to preserve the quality and lifespan of the Intimidator Hybrid 140SR lamp:

-  **ALWAYS turn the lamp off by using the DMX controller or the product's control panel, then wait at least 5 minutes before switching off the product. This will keep the fans running to extract any remaining heat from the product's head.**
- 
  - **DO NOT power cycle the product unless it is necessary.**
  - **DO NOT touch the lamp without wearing gloves to avoid leaving grease on the bulb or on the contacts that could reduce the lamp's life.**
  - **ALWAYS change the lamp when it has reached its recommended lifespan to avoid the risk of lamp explosion.**

### Lamp Adjustment

To ensure the lamp is positioned correctly, it must be adjusted after installation with the Lamp Adjustment Knob. To access the Lamp Adjustment Knob:

1. Ensure the product is stationary before continuing.
2. Remove the head cover of the Intimidator Hybrid 140SR by removing 4 Phillips-head screws.



3. Adjust the position of the lamp by turning the Lamp Adjustment Knob clockwise or counter-clockwise with a flat-head screwdriver.

 **Do NOT touch the lamp, any electrical contact, or wire while the product is powered. Practice safety precautions at all times while working on powered electronics.**

 **Ensure the moving head is stationary before performing this procedure.**

## 6. TECHNICAL SPECIFICATIONS

### Dimensions and Weight

LENGTH	WIDTH	HEIGHT	WEIGHT
12.6 in (322 mm)	8.6 in (220 mm)	20.2 in (513 mm)	33.4 lb (15.2 kg)

**Note:** Dimensions in inches rounded to the nearest decimal digit.

### Power

POWER SUPPLY TYPE	RANGE	VOLTAGE SELECTION
Switching (internal)	100 to 240 VAC, 50/60 Hz	Auto-ranging

PARAMETER	120 V, 60 Hz	230 V, 50 Hz
Consumption	260 W	254 W
Operating Current	2.5 A	1.3 A
Power linking current (products)	13.6 A (3 products)	13.6 A (6 products)
Fuse	F 4 A, 250 V	F 4 A, 250 V

POWER I/O	U.S./WORLDWIDE	UK/EUROPE
Power input connector	IEC	IEC
Power output connector	Edison	IEC
Power Cord plug	Edison (U.S.)	Local Plug

### Light Source

TYPE	POWER	LIFESPAN
Osram Sirius HRI Discharge Lamp	140 W (included) 132 W (optional)	6,000 hours

### Photometrics

PARAMETER	VALUE	PARAMETER	VALUE
Strobe Rate	0 to 20 Hz	Zoom Angle (beam)	3° to 11°
Illuminance (3° beam)	382,000 lux @ 5 m	Zoom Angle (spot)	7° to 21°
Illuminance (7° spot)	104,700 lux @ 5 m	Zoom Angle (wash)	14° to 28°
Illuminance (14° wash)	4,680 lux @ 5 m		

### Thermal

MAXIMUM EXTERNAL TEMPERATURE	COOLING SYSTEM
104 °F (40 °C)	Fan-assisted convection

### DMX

I/O CONNECTOR	CHANNEL RANGE
3-pin XLR	13 or 19

### Ordering

PRODUCT NAME	ITEM CODE	UPC NUMBER
Intimidator Hybrid 140SR	08011242	781462215903



UL 1573  
CSA C22.2 No. 166  
E113093



RoHS



## RETURNS

In case you need to get support or return a product:

- If you are located in the U.S., contact Chauvet World Headquarters.
- If you are located in the UK or Ireland, contact Chauvet Europe Ltd.
- If you are located in Mexico, contact Chauvet Mexico.
- If you are located in Benelux, contact Chauvet Europe BVBA.
- If you are located in any other country, DO NOT contact Chauvet. Instead, contact your local distributor. See [www.chauvetdj.com](http://www.chauvetdj.com) for distributors outside the U.S., UK, Ireland, Mexico, or Benelux.



**If you are located outside the U.S., UK, Ireland, Mexico, or Benelux, contact your distributor of record and follow their instructions on how to return Chauvet products to them. Visit our website [www.chauvetdj.com](http://www.chauvetdj.com) for contact details.**

Call the corresponding Chauvet Technical Support office and request a Return Merchandise Authorization (RMA) number before shipping the product. Be prepared to provide the model number, serial number, and a brief description of the cause for the return.

To submit a service request online, go to [www.chauvetdj.com/service-request](http://www.chauvetdj.com/service-request).

Send the merchandise prepaid, in its original box, and with its original packing and accessories. Chauvet will not issue call tags.

Clearly label the package with the RMA number. Chauvet will refuse any product returned without an RMA number.



**Write the RMA number on a properly affixed label. DO NOT write the RMA number directly on the box.**

Before sending the product, clearly write the following information on a piece of paper and place it inside the box:

- Your name
- Your address
- Your phone number
- RMA number
- A brief description of the problem

Be sure to pack the product properly. Any shipping damage resulting from inadequate packaging will be your responsibility. FedEx packing or double-boxing are recommended.



**Chauvet reserves the right to use its own discretion to repair or replace returned product(s).**

## CONTACT US

World Headquarters	
General Information	Technical Support
Address: 5200 NW 108th Ave. Sunrise, FL 33351 Voice: (954) 577-4455 Fax: (954) 929-5560 Toll Free: (800) 762-1084	Voice: (844) 393-7575 Fax: (954) 756-8015 Email: <a href="mailto:chauvetcs@chauvetlighting.com">chauvetcs@chauvetlighting.com</a>
	Website
	<a href="http://www.chauvetlighting.com">www.chauvetlighting.com</a>
EUROPE	
General Information	Technical Support
Address: Stokstraat 18 9770 Kruishoutem Belgium Voice: +32 9 388 93 97	Email: <a href="mailto:eutech@chauvetlighting.eu">eutech@chauvetlighting.eu</a>
	Website
	<a href="http://www.chauvetlighting.eu">www.chauvetlighting.eu</a>
General Information	Technical Support
Address: Unit 1C Brookhill Road Industrial Estate Pinxton, Nottingham, UK NG16 6NT Voice: +44 (0) 1773 511115 Fax: +44 (0) 1773 511110	Email: <a href="mailto:uktech@chauvetlighting.com">uktech@chauvetlighting.com</a>
	Website
	<a href="http://www.chauvetlighting.co.uk">www.chauvetlighting.co.uk</a>
MEXICO	
General Information	Technical Support
Av. de las Partidas 34 - 3B, Zona Industrial Lerma Lerma, Edo. de México, CP 52000 Voice: +52 (728) 285-5000	Email: <a href="mailto:servicio@chauvet.com.mx">servicio@chauvet.com.mx</a>
	Website
	<a href="http://www.chauvet.com.mx">www.chauvet.com.mx</a>

Outside the U.S., United Kingdom, Ireland, Mexico or Benelux, contact the dealer of record. Follow the instructions to request support or to return a product. Visit our website for contact details.