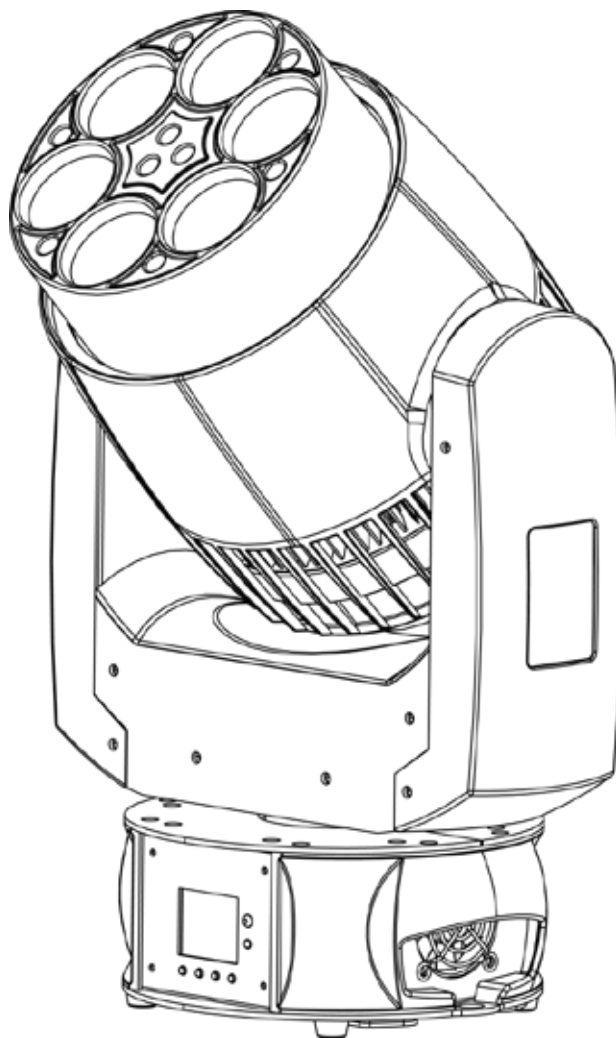


# INTIMIDATOR TRIO

## User Manual



  
**CHAUVET®**

---

# TABLE OF CONTENTS

<b>1. Before You Begin</b> .....	<b>4</b>
What Is Included .....	4
Unpacking Instructions .....	4
Claims.....	4
Text Conventions .....	4
Symbols .....	4
Disclaimer .....	4
Product at a Glance .....	5
Safety Notes.....	5
<b>2. Introduction</b> .....	<b>6</b>
Product Overview .....	6
Product Dimensions .....	7
<b>3. Setup</b> .....	<b>8</b>
AC Power .....	8
Fuse Replacement .....	8
Power Linking .....	8
Mounting .....	9
Orientation .....	9
Rigging .....	9
<b>4. Operation</b> .....	<b>10</b>
Control Panel Operation.....	10
Menu Map .....	10
Menu Map (cont.) .....	11
Configuration (DMX) .....	11
Starting Address .....	11
DMX Personalities .....	11
DMX Channel Assignments and Values .....	12
30CH .....	12
Intimidator Trio Zones of Control .....	12
30CH (cont.) .....	13
30CH (cont.) .....	14
30CH (cont.) .....	15
15CH .....	16
15CH (cont.) .....	17
15CH (cont.) .....	18
Configuration (Standalone) .....	19
Automatic Mode.....	19
Sound-Active Mode .....	19
Sound Sensitivity .....	19
Manual Mode .....	19
Totem Mode .....	19
Pan/Tilt Orientation .....	20
Pan/Tilt Angle Range.....	20
Pan/Tilt Speed.....	20
Dimmer Curve.....	20
Dimmer Speed.....	20
Color Balance .....	21
Display Timeout.....	21
Display Orientation .....	21
Fans.....	21
Reset .....	21

---

Load Factory Defaults.....	21
System Info.....	21
IR Mode.....	22
IRC-6 Operation.....	22
Master/Slave Mode .....	23
<b>5. Maintenance .....</b>	<b>24</b>
Product Maintenance .....	24
<b>6. Technical Specifications.....</b>	<b>25</b>
<b>Returns .....</b>	<b>26</b>
<b>Contact Us .....</b>	<b>27</b>

# 1. BEFORE YOU BEGIN

## What Is Included

- Intimidator Trio
- Hanging Bracket with Mounting Hardware
- Power Cord
- Warranty Card
- Quick Reference Guide

## Unpacking Instructions

Carefully unpack the product immediately and check the container to make sure all the parts are in the package and are in good condition.

## Claims




If the box or the contents (the product and included accessories) appear damaged from shipping, or show signs of mishandling, notify the carrier immediately, not Chauvet. Failure to report damage to the carrier immediately may invalidate your claim. In addition, keep the box and contents for inspection.

For other issues, such as missing components or parts, damage not related to shipping, or concealed damage, file a claim with Chauvet within 7 days of delivery.

## Text Conventions

Convention	Meaning
1—512	A range of values
50/60	A set of values of which only one can be chosen
Settings	A menu option not to be modified
Menu > Settings	A sequence of menu options to be followed
<ENTER>	A key to be pressed on the product's control panel
ON	A value to be entered or selected

## Symbols

Symbol	Meaning
	Critical installation, configuration, or operation information. Not following these instructions may make the product not work, cause damage to the product, or cause harm to the operator.
	Important installation or configuration information. The product may not function correctly if this information is not used.
	Useful information.

## Disclaimer

Chauvet believes that the information contained in this manual is accurate in all respects. However, Chauvet assumes no responsibility and specifically disclaims any and all liability to any party for any loss, damage or disruption caused by any errors or omissions in this document, whether such errors or omissions result from negligence, accident or any other cause. Chauvet reserves the right to revise the content of this document without any obligation to notify any person or company of such revision, however, Chauvet has no obligation to make, and does not commit to make, any such revisions. Download the latest version from [www.chauvetlighting.com](http://www.chauvetlighting.com).

The works of authorship contained in this manual, including, but not limited to, all design, text and images are owned by Chauvet.

© Copyright 2015 Chauvet & Sons, LLC. All rights reserved.

Electronically published by Chauvet in the United States of America.

CHAUVET, the Chauvet logo, Intimidator Trio, and Intimidator Wash Zoom are registered trademarks or trademarks of Chauvet & Sons LLC. (d/b/a Chauvet and Chauvet Lighting) in the United States and other countries. Other company and product names and logos referred to herein may be trademarks of their respective companies.

## Product at a Glance

Use on Dimmer	X	Auto Programs	P
Outdoor Use	X	Auto-ranging Power Supply	P
Sound-Active	P	Replaceable Fuse	P
DMX	P	User-Serviceable	X
Master/Slave	P		

## Safety Notes

Please read the following Safety Notes carefully before working with the product. The Notes include important safety information about installation, usage, and maintenance.



- Always connect the product to a grounded circuit to avoid the risk of electrocution.
- Always disconnect the product from the power source before cleaning or replacing the fuse.
- Avoid direct eye exposure to the light source while the product is on.
- Make sure the power cord is not crimped or damaged.
- Never disconnect the product from power cord by pulling or tugging on the cord.
- If mounting the product overhead, always secure to a fastening device using a safety cable.
- Make sure there are no flammable materials close to the product when operating.
- Do not touch the product's housing when operating because it may be very hot.



- Always make sure that the voltage of the outlet to which you are connecting the product is within the range stated on the decal or rear panel of the product.
- The product is for indoor use only! (IP20) To prevent risk of fire or shock, do not expose the product to rain or moisture.
- Always install the product in a location with adequate ventilation, at least 20 in (50 cm) from adjacent surfaces.
- Be sure that no ventilation slots on the product's housing are blocked.
- Never connect the product to a dimmer.
- Make sure to replace the fuse with another of the same type and rating.
- Never carry the product from the power cord or any moving part. Always use the hanging/mounting bracket.
- The maximum ambient temperature (Ta) is 104 °F (40 °C). Do not operate the product at higher temperatures.
- In the event of a serious operating problem, stop using the product immediately.
- Never try to repair the product. Repairs carried out by unskilled people can lead to damage or malfunction. Please contact the nearest authorized technical assistance center.
- To eliminate unnecessary wear and improve its lifespan, during periods of non-use completely disconnect the product from power via breaker or by unplugging it.

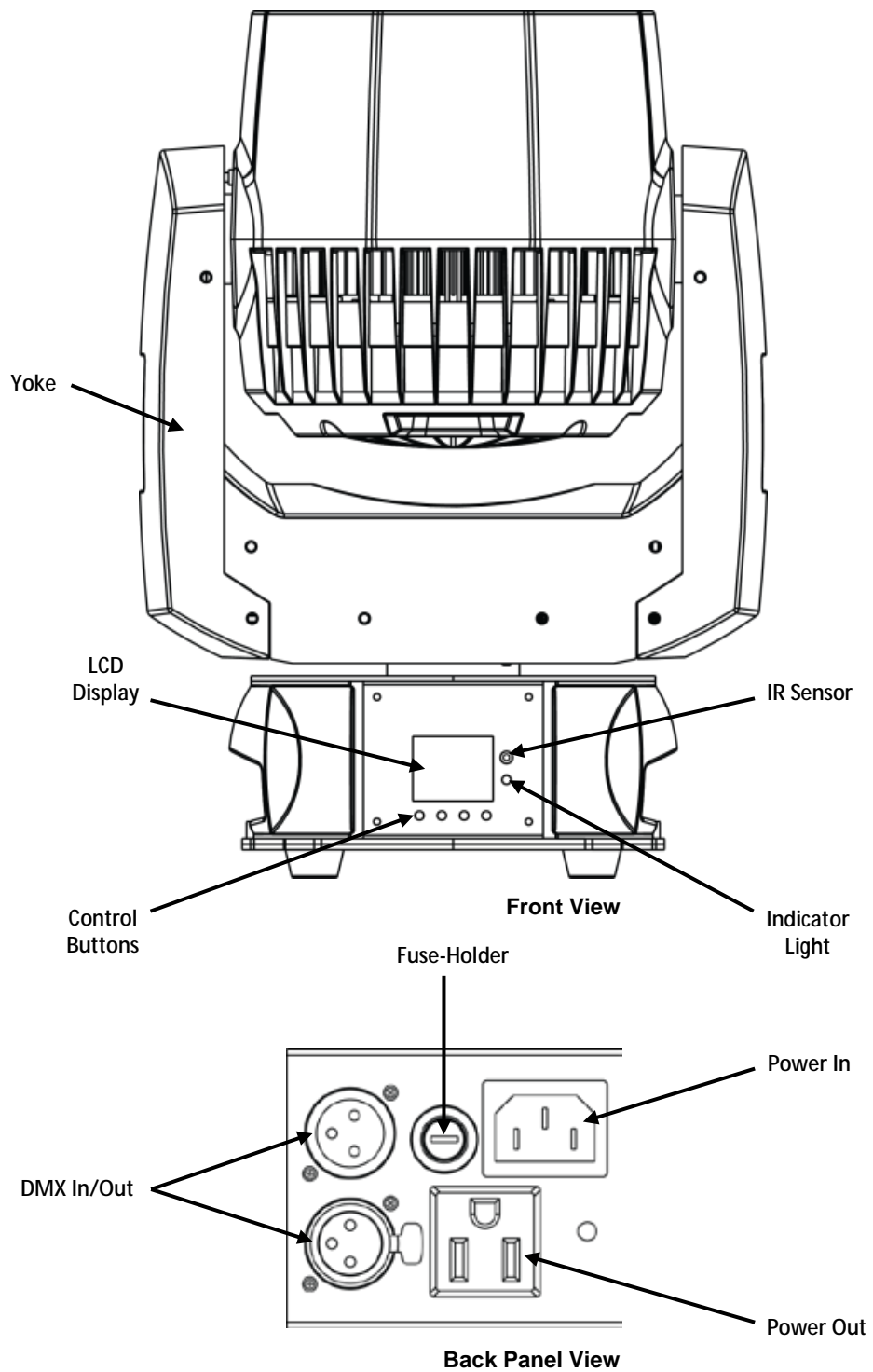


Keep this User Manual for future use. If you sell the product to someone else, be sure that they also receive this document.

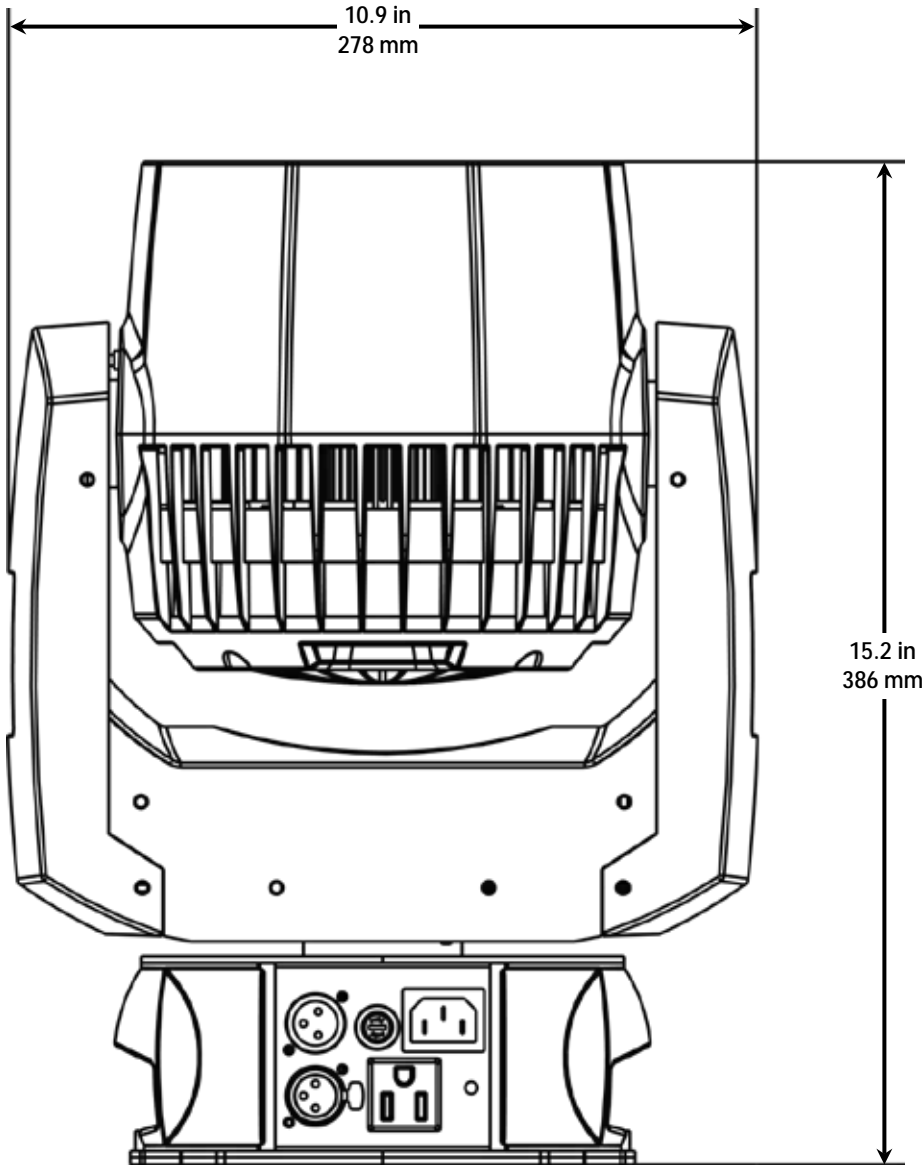
---

## 2. INTRODUCTION

### Product Overview



# Product Dimensions



### 3. SETUP

#### AC Power

The Intimidator Trio has an auto-ranging power supply and it can work with an input voltage range of 100 to 240 VAC, 50/60 Hz. To determine the product's power requirements (circuit breaker, power outlet, and wiring), use the current value listed on the label affixed to the product's back panel, or refer to the product's specifications chart. The listed current rating indicates the product's average current draw under normal conditions.



- **Always connect the product to a protected circuit (circuit breaker or fuse). Make sure the product has an appropriate electrical ground to avoid the risk of electrocution or fire.**
- **To eliminate unnecessary wear and improve its lifespan, during periods of non-use completely disconnect the product from power via breaker or by unplugging it.**



**Never connect the product to a rheostat (variable resistor) or dimmer circuit, even if the rheostat or dimmer channel serves only as a 0 to 100% switch.**

#### Fuse Replacement

1. Disconnect the product from power.
2. Using a flat-head screwdriver, unscrew the fuse holder cap from the housing.
3. Remove the blown fuse.
4. Replace with a fuse of the same type and rating.
5. Screw the fuse holder cap back in place and reconnect power.

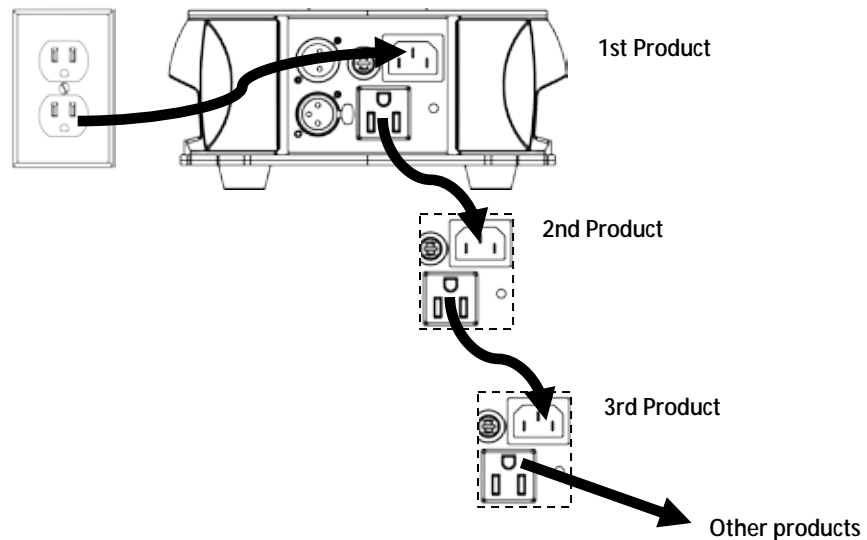


- **Disconnect the product from the power outlet before replacing the fuse.**
- **Always replace a blown fuse with another of the same type and rating.**

#### Power Linking

The product provides power linking via the IEC outlet located in the back of the product. Please see the diagram below for further explanation.

#### Power Linking Diagram



**You can power link up to 4 Intimidator Trio products on 120 VAC or up to 8 Intimidator Trio products on 230 VAC.**



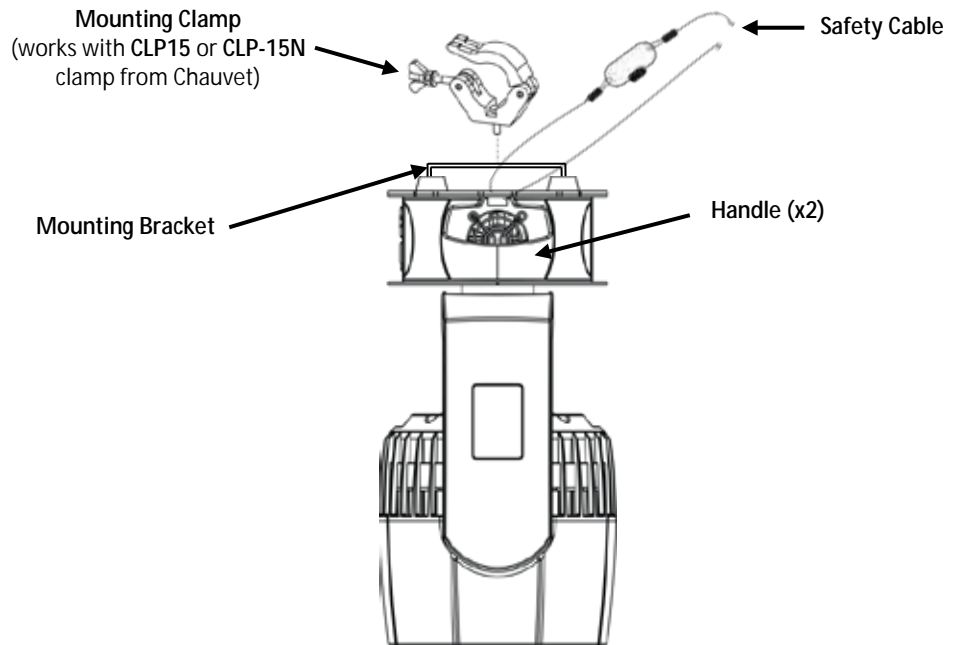
**The power linking diagram corresponds to the North American version of the product ONLY! If using the product in other markets, you must consult with the local Chauvet distributor as power linking connectors and requirements may differ in your country or region.**



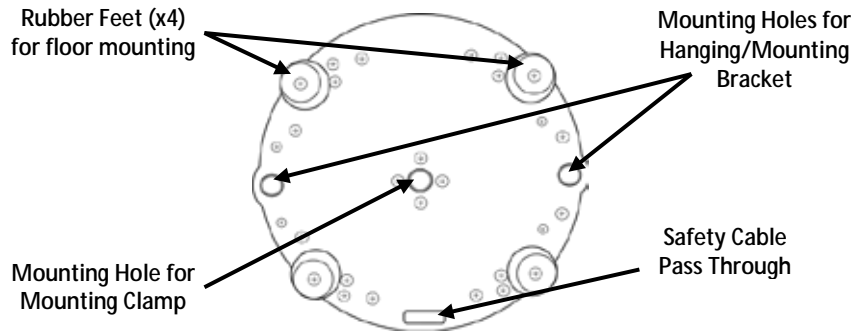
**Mounting** Before mounting the product, read and follow the safety recommendations indicated in the [Safety Notes](#).

**Orientation** The Intimidator Trio may be mounted in any position; however, make sure adequate ventilation is provided around the product.

- Rigging**
- Before deciding on a location for the product, always make sure there is easy access to the product for maintenance and programming purposes.
  - Make sure that the structure or surface onto which you are mounting the product can support the product's weight. See the [Technical Specifications](#) for weight information. The CLP-15 clamp from Chauvet is appropriate for this product.
  - When mounting the product overhead, always use a safety cable. Mount the product securely to a rigging point, whether an elevated platform or a truss.
  - When rigging the product onto a truss, you should use a mounting clamp of appropriate weight capacity.
  - When power linking multiple products, you must always consider the length of the power linking cable and mount the products close enough for the cable to reach.
  - The rubber feet also serve as floor supports. When mounting the product on the floor, make sure that the product and cables are away from people and vehicles.



**Mounting Diagram**



**When using only one mounting clamp with this fixture, you must use a clamp with a captive bolt to prevent accidental loosening.**

## 4. OPERATION

### Control Panel Operation

To access the control panel functions, use the four buttons located underneath the display. Please refer to the [Product Overview](#) to see the button locations on the control panel.

Button	Function
<MENU>	Press to find an operation mode or to back out of the current menu option
<UP>	Press to scroll up the list of options or to find a higher value
<DOWN>	Press to scroll down the list of options or to find a lower value
<ENTER>	Press to activate a menu option or a selected value

### Menu Map

Main Level	Programming Levels		Description	
Address	001–512		Sets the DMX starting address	
Run Mode	DMX	15CH	Selects DMX mode	
		30CH		
	Slave	Slave 1–4	Selects Slave mode	
	Auto		Selects Auto mode	
	Sound		Selects Sound-Active mode	
	IR		Selects Infrared mode	
	Manual	Pan	000–255	Manual pan control
		Tilt	000–255	Manual tilt control
		P/T Speed	000–255	Manual pan/tilt speed
		Color	000–255	Manual color control
		Rotate	000–255	Manual rotate control
		Zoom	000–255	Manual zoom control
		Dimmer	000–255	Manual dimmer controller
	Shutter	000–255	Manual shutter control	
Setup	Pan Reverse	OFF	Normal pan operation	
		ON	Reverse pan operation	
	Tilt Reverse	OFF	Normal tilt operation	
		ON	Reverse tilt operation	
	Pan Angle	540	Selects the 540° pan angle range	
		360	Selects the 360° pan angle range	
		180	Selects the 180° pan angle range	
	Tilt Angle	270	Selects the 270° tilt angle range	
		180	Selects the 180° tilt angle range	
		90	Selects the 90° tilt angle range	
	Totem Mode	OFF	Normal mode	
		UP	Totem Mode Base Up	
		DOWN	Totem Mode Base Down	
	P/T Speed	Normal	Selects the panning/tilting speed	
		Fast		
		Slow		
	Fans	Auto	Sets fan speed according to temperature	
		Full	Fan set to full speed	
	Display	OFF	Display background light turns off after inactivity	
		ON	Display background light stays on	
Screen Rev	OFF	Normal display		
	ON	Reverse display		

Menu Map (cont.)	Main Level		Programming Levels		Description
	Setup (cont.)	Dimmer Curve	Square		
I Squa					
sCurve					
Linear					
Dimmer Speed		Fast		Selects the dimmer speed	
		Smooth			
Color Balance		RED	100–255	Sets color balance (100 to 255)	
		GREEN	100–255		
		BLUE	100–255		
		WHITE	100–255		
Sensitivity	001–100		Sets sound sensitivity		
Reset		Resets the product			
Factory Set		Loads factory defaults			
Sys Info	Ver V_		Displays the software version		
	Running Mode _ _ _ _ _		Displays the current running mode		
	DMX Address _ _ _		Displays the current DMX address		
	Temperature _ _ _		Displays the current LED temperature in Celsius		

### Configuration (DMX)

- Set the product in DMX mode to control with a DMX controller.
1. Connect the product to a suitable power outlet.
  2. Connect a DMX cable from the DMX output of the DMX controller to the DMX input socket on the product.

### Starting Address

When selecting a starting DMX address, always consider the number of DMX channels the selected DMX mode uses. If you choose a starting address that is too high, you could restrict the access to some of the product’s channels.

The Intimidator Trio uses up to 30 DMX channels in its 30-channel DMX mode, which defines the highest configurable address to **483**.

If you are not familiar with the DMX protocol, download the DMX Primer from [www.chauvetlighting.com](http://www.chauvetlighting.com).

To select the starting address, do the following:

1. Press **<MENU>**.
2. Use **<UP>** or **<DOWN>** to choose **Address**.
3. Press **<ENTER>**.
4. Use **<UP>** or **<DOWN>** to select the starting address.
5. Press **<ENTER>**.

### DMX Personalities

The Intimidator Trio has two DMX personalities, a 30-channel personality and a 15-channel personality.

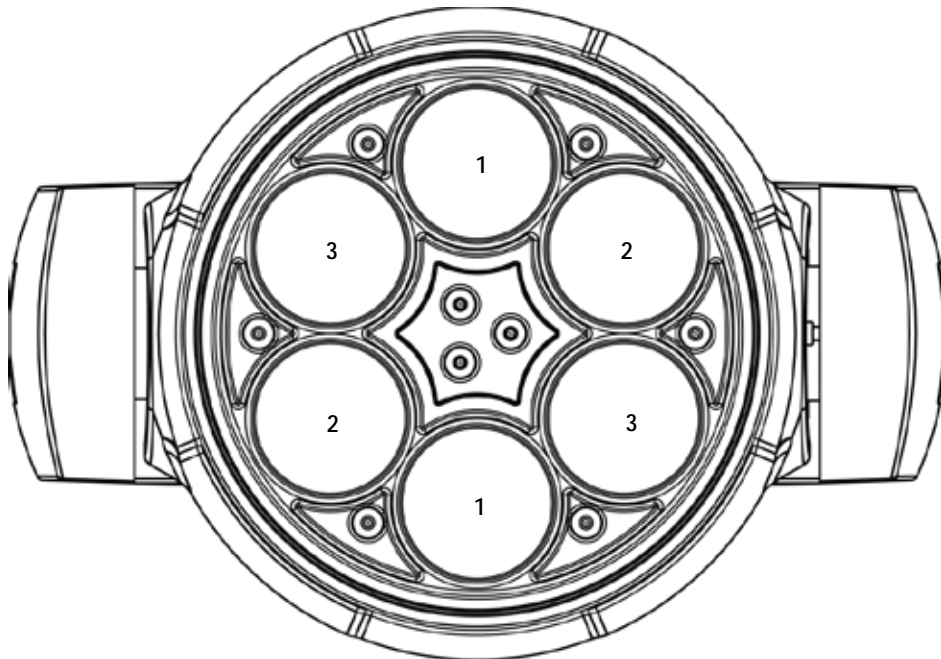
To choose which DMX personality to use, follow the steps below:

1. Press **<MENU>**.
2. Use **<UP>** or **<DOWN>** to choose **Run Mode**.
3. Press **<ENTER>**.
4. Use **<UP>** or **<DOWN>** to select **DMX**.
5. Press **<ENTER>**.
6. Use **<UP>** or **<DOWN>** to choose either **30CH** (to choose the 30-channel personality) or **15CH** (to choose the 15-channel personality).
7. Press **<ENTER>**.

## DMX Channel Assignments and Values

30CH	Channel	Function	Value	Percent/Setting
	1	Pan	000ó 255	0–540°
	2	Fine Pan	000ó 255	Fine control of pan
	3	Tilt	000ó 255	0–270°
	4	Fine Tilt	000ó 255	Fine control of tilt
	5	Pan/Tilt Speed	000ó 255	Pan/Tilt speed (fast to slow)
	6	Red 1	000ó 255	0–100%
	7	Green 1	000ó 255	0–100%
	8	Blue 1	000ó 255	0–100%
	9	White 1	000ó 255	0–100%
	10	Red 2	000ó 255	0–100%
	11	Green 2	000ó 255	0–100%
	12	Blue 2	000ó 255	0–100%
	13	White 2	000ó 255	0–100%
	14	Red 3	000ó 255	0–100%
	15	Green 3	000ó 255	0–100%
	16	Blue 3	000ó 255	0–100%
	17	White 3	000ó 255	0–100%
	18	No function	000ó 255	Reserved for future use
	19	No function	000ó 255	Reserved for future use
	20	No function	000ó 255	Reserved for future use
	21	No function	000ó 255	Reserved for future use

## Intimidator Trio Zones of Control



**30CH**  
(cont.)

Channel	Function	Value	Percent/Setting
22	Colors	000ó 004	No function
		005ó 009	Color 1
		010ó 014	Color 2
		015ó 019	Color 3
		020ó 024	Color 4
		025ó 029	Color 5
		030ó 034	Color 6
		035ó 039	Color 7
		040ó 044	Color 8
		045ó 049	Color 9
		050ó 054	Color 10
		055ó 059	Color 11
		060ó 064	Color 12
		065ó 069	Color 13
		070ó 074	Color 14
		075ó 079	Color 15
		080ó 084	Color 16
		085ó 089	Color 17
		090ó 094	Color 18
		095ó 099	Color 19
		100ó 104	Color 20
		105ó 109	Color 21
		110ó 114	Color 22
		115ó 119	Color 23
		120ó 124	Color 24
		125ó 129	Color 25
		130ó 134	Color 26
		135ó 139	Color 27
		140ó 144	Color 28
		145ó 149	Color 29
		150ó 154	Color 30
		155ó 159	Color 31
		160ó 164	Color 32
		165ó 169	Color 33
170ó 174	Color 34		
175ó 179	No function		
180ó 201	Clockwise color change (fast to slow)		
202ó 207	Stop (color stays in the current color)		
208ó 229	Counter-clockwise color change (fast to slow)		
230ó 234	No function		
235ó 249	Color jump (fast to slow)		
250ó 255	Sound-Active colors		

**30CH**  
(cont.)

Channel	Function	Value	Percent/Setting
23	<b>Built in Control</b>	000○ 015	No function
		016○ 031	Zone macro 1
		032○ 047	Zone macro 2
		048○ 063	Zone macro 3
		064○ 079	Zone macro 4
		080○ 095	Zone macro 5
		096○ 111	Zone macro 6
		112○ 127	Zone macro 7 (zone macros 1–6)
		128○ 143	Built-in Auto 1
		144○ 159	Built-in Auto 2
		160○ 175	Built-in Auto 3
		176○ 191	Built-in Auto 4
		192○ 207	Built-in Auto 5
		208○ 223	Built-in Auto 6
		224○ 239	Built-in Auto 7
240○ 255	Built-in Auto 8 (built-in auto 1–7)		
24	<b>Built in Speed</b>	000○ 255	Zone macros and built-in auto speed (slow to fast)
25	<b>Dimmer</b>	000○ 255	0–100%
26	<b>Shutter</b>	000○ 019	Closed
		020○ 024	Open
		025○ 064	Strobe effect (fast to slow)
		065○ 069	Open
		070○ 084	Fast on, slow off (fast to slow)
		085○ 089	Open
		090○ 104	Slow on, fast off (fast to slow)
		105○ 109	Open
		110○ 124	Random shutter (fast to slow)
		125○ 129	Open
		130○ 144	Random fast on, slow off (fast to slow)
		145○ 149	Open
		150○ 164	Random slow on, fast off (fast to slow)
		165○ 169	Open
		170○ 184	Pulse effect 1 (fast to slow)
		185○ 189	Open
		190○ 204	Pulse effect 2 (fast to slow)
		205○ 209	Open
		210○ 224	Gradually on and off (fast to slow)
		225○ 229	Open
230○ 244	Pulse effect 3 (fast to slow)		
245○ 255	Open		
27	<b>Zoom</b>	000○ 255	Zoom in and out

30CH (cont.)	Channel	Function	Value	Percent/Setting
28	Control Functions	000	009	No function
		010	014	Blackout while panning/tilting
		015	019	No function
		020	049	Reserved for future use
		050	054	Reset pan
		055	059	Reset tilt
		060	064	Reset zoom
		065	069	Reset rotation
		070	074	Reset all
		075	079	No function
		080	084	Reverse pan/tilt
		085	089	Reverse pan
		090	094	Reverse tilt
		095	099	Cancel reverse pan
		100	104	Cancel reverse tilt
		105	109	Cancel reverse pan/tilt
		110	114	Pan/Tilt normal speed
		115	119	Pan/Tilt fast speed
		120	124	Pan/Tilt slow speed
		125	129	Fan full speed
130	134	Fan auto speed		
135	139	Dimmer fast		
140	144	Dimmer smooth		
145	255	No function		
29	Movement Macros	000	007	No function
		008	023	Automatic movement macro 1
		024	039	Automatic movement macro 2
		040	055	Automatic movement macro 3
		056	071	Automatic movement macro 4
		072	087	Automatic movement macro 5
		088	103	Automatic movement macro 6
		104	119	Automatic movement macro 7
		120	135	Automatic movement macro 8
		136	151	Sound-Active movement macro 1
		152	167	Sound-Active movement macro 2
		168	183	Sound-Active movement macro 3
		184	199	Sound-Active movement macro 4
		200	215	Sound-Active movement macro 5
		216	231	Sound-Active movement macro 6
		232	247	Sound-Active movement macro 7
		248	255	Sound-Active movement macro 8
30	Rotating	000	063	Rotation indexing
		064	095	Rotating small shake (slow to fast)
		096	127	Rotating large shake (slow to fast)
		128	191	Rotating (slow to fast)
		192	255	Reverse rotating (slow to fast)
				When CH 27 (Zoom) value is above 150

<b>15CH</b>	<b>Channel</b>	<b>Function</b>	<b>Value</b>	<b>Percent/Setting</b>
	<b>1</b>	<b>Pan</b>	000○255	0–540°
	<b>2</b>	<b>Tilt</b>	000○255	0–270°
	<b>3</b>	<b>Pan/Tilt Speed</b>	000○255	Pan/Tilt speed (fast to slow)
	<b>4</b>	<b>Red</b>	000○255	0–100%
	<b>5</b>	<b>Green</b>	000○255	0–100%
	<b>6</b>	<b>Blue</b>	000○255	0–100%
	<b>7</b>	<b>White</b>	000○255	0–100%
	<b>8</b>	<b>Built-in Control</b>	000○015	No function
			016○031	Zone macro 1
			032○047	Zone macro 2
			048○063	Zone macro 3
			064○079	Zone macro 4
			080○095	Zone macro 5
			096○111	Zone macro 6
			112○127	Zone macro 7 (zone macros 1–6)
			128○143	Built-in Auto 1
			144○159	Built-in Auto 2
			160○175	Built-in Auto 3
			176○191	Built-in Auto 4
			192○207	Built-in Auto 5
			208○223	Built-in Auto 6
	224○239	Built-in Auto 7		
	240○255	Built-in Auto 8 (built-in auto 1–7)		
	<b>9</b>	<b>Built-in Speed</b>	000○255	Zone macros and built-in auto speed (slow to fast)
	<b>10</b>	<b>Dimmer</b>	000○255	0–100%



15CH (cont.)	Channel	Function	Value	Percent/Setting
11	Shutter	000	019	Closed
		020	024	Open
		025	064	Strobe effect (fast to slow)
		065	069	Open
		070	084	Fast on, slow off (fast to slow)
		085	089	Open
		090	104	Slow on, fast off (fast to slow)
		105	109	Open
		110	124	Random shutter (fast to slow)
		125	129	Open
		130	144	Random fast on, slow off (fast to slow)
		145	149	Open
		150	164	Random slow on, fast off (fast to slow)
		165	169	Open
		170	184	Pulse effect 1 (fast to slow)
		185	189	Open
		190	204	Pulse effect 2 (fast to slow)
		205	209	Open
		210	224	Gradually on and off (fast to slow)
		225	229	Open
230	244	Pulse effect 3 (fast to slow)		
245	255	Open		
12	Zoom	000	255	Zoom in and out
13	Control Functions	000	009	No function
		010	014	Blackout while panning/tilting
		015	019	No function
		020	049	Reserved for future use
		050	054	Reset pan
		055	059	Reset tilt
		060	064	Reset zoom
		065	069	Reset rotation
		070	074	Reset all
		075	079	No function
		080	084	Reverse pan/tilt
		085	089	Reverse pan
		090	094	Reverse tilt
		095	099	Cancel reverse pan
		100	104	Cancel reverse tilt
		105	109	Cancel reverse pan/tilt
		110	114	Pan/Tilt normal speed
		115	119	Pan/Tilt fast speed
		120	124	Pan/Tilt slow speed
		125	129	Fan full speed
		130	134	Fan auto speed
		135	139	Dimmer fast
		140	144	Dimmer smooth
145	255	No function		

<b>15CH</b> (cont.)	<b>Channel</b>	<b>Function</b>	<b>Value</b>	<b>Percent/Setting</b>
<b>14</b>	<b>Movement Macros</b>		000○ 007	No function
			008○ 023	Automatic movement macro 1
			024○ 039	Automatic movement macro 2
			040○ 055	Automatic movement macro 3
			056○ 071	Automatic movement macro 4
			072○ 087	Automatic movement macro 5
			088○ 103	Automatic movement macro 6
			104○ 119	Automatic movement macro 7
			120○ 135	Automatic movement macro 8
			136○ 151	Sound-Active movement macro 1
			152○ 167	Sound-Active movement macro 2
			168○ 183	Sound-Active movement macro 3
			184○ 199	Sound-Active movement macro 4
			200○ 215	Sound-Active movement macro 5
			216○ 231	Sound-Active movement macro 6
			232○ 247	Sound-Active movement macro 7
			248○ 255	Sound-Active movement macro 8
<b>15</b>	<b>Rotating</b>		000○ 063	Rotation indexing
			064○ 095	Rotating small shake (slow to fast)
			096○ 127	Rotating large shake (slow to fast)
			128○ 191	Rotating (slow to fast)
			192○ 255	Reverse rotating (slow to fast)
				When <b>CH 27</b> (Zoom) value is above 150

---

## Configuration (Standalone)

Set the product in one of the standalone modes to control without a DMX controller.

- Connect the product to power.



**Never connect a product that is operating in any standalone mode (Automatic, Sound-Active, or Manual) to a DMX string connected to a DMX controller. Products in standalone mode may transmit DMX signals that could interfere with the DMX signals from the controller.**

### Automatic Mode

To enable the Automatic mode, do the following:

1. Press **<MENU>**.
2. Use **<UP>** or **<DOWN>** to choose **Run Mode**.
3. Press **<ENTER>**.
4. Use **<UP>** or **<DOWN>** to select **Auto**.
5. Press **<ENTER>**.

### Sound-Active Mode

To enable the Sound-Active mode, follow the instructions below:

1. Press **<MENU>**.
2. Use **<UP>** or **<DOWN>** to choose **Run Mode**.
3. Press **<ENTER>**.
4. Use **<UP>** or **<DOWN>** to select **Sound**.
5. Press **<ENTER>**.



**The product will only respond to low frequencies of music (bass and drums).**

### Sound Sensitivity

To set the sound sensitivity, do the following:

1. Press **<MENU>**.
2. Use **<UP>** or **<DOWN>** to choose **Setup**.
3. Press **<ENTER>**.
4. Use **<UP>** or **<DOWN>** to select **Sensitivity**.
5. Press **<ENTER>**.
6. Use **<UP>** or **<DOWN>** to select **001-100**, low to high.
7. Press **<ENTER>**.

### Manual Mode

To test or control any function of the Intimidator Trio through the LCD display menu, follow the instructions below:

1. Press **<MENU>**.
2. Use **<UP>** or **<DOWN>** to choose **Run Mode**.
3. Press **<ENTER>**.
4. Use **<UP>** or **<DOWN>** to select **Manual**.
5. Press **<ENTER>**.
6. Use **<UP>** or **<DOWN>** to select the function to test or control, from the options: **Pan, Tilt, P/T Speed, Color, Rotate, Zoom, Dimmer, and Shutter**.
7. Press **<ENTER>**.
8. Use **<UP>** or **<DOWN>** to change the value of the selected function, from **000-255**.
9. Press **<ENTER>**.
10. Repeat steps 6-9 until the functions are set as desired.

### Totem Mode

To set the Intimidator Trio to Totem mode, do the following:

1. Press **<MENU>**.
2. Use **<UP>** or **<DOWN>** to choose **Setup**.
3. Press **<ENTER>**.
4. Use **<UP>** or **<DOWN>** to select **Totem Mode**.
5. Press **<ENTER>**.
6. Use **<UP>** or **<DOWN>** to choose **OFF, DOWN, or UP**.
7. Press **<ENTER>**.

---

## Pan/Tilt Orientation

To select whether the Intimidator Trio will operate with normal panning or inverted panning, follow the instructions below:

1. Press **<MENU>**.
2. Use **<UP>** or **<DOWN>** to choose **Setup**.
3. Press **<ENTER>**.
4. Use **<UP>** or **<DOWN>** to select **Pan Reverse**.
5. Press **<ENTER>**.
6. Use **<UP>** or **<DOWN>** to select **ON** or **OFF**.
7. Press **<ENTER>**.

To select whether the Intimidator Trio will operate with normal tilting or inverted tilting, do the following:

1. Press **<MENU>**.
2. Use **<UP>** or **<DOWN>** to choose **Setup**.
3. Press **<ENTER>**.
4. Use **<UP>** or **<DOWN>** to select **Tilt Reverse**.
5. Press **<ENTER>**.
6. Use **<UP>** or **<DOWN>** to select **ON** or **OFF**.
7. Press **<ENTER>**.

## Pan/Tilt Angle Range

To select which pan angle range to use, follow the instructions below:

1. Press **<MENU>**.
2. Use **<UP>** or **<DOWN>** to choose **Setup**.
3. Press **<ENTER>**.
4. Use **<UP>** or **<DOWN>** to select **Pan Angle**.
5. Press **<ENTER>**.
6. Use **<UP>** or **<DOWN>** to select **540**, **360**, or **180**.
7. Press **<ENTER>**.

To select which tilt angle range to use, do the following.

1. Press **<MENU>**.
2. Use **<UP>** or **<DOWN>** to choose **Setup**.
3. Press **<ENTER>**.
4. Use **<UP>** or **<DOWN>** to select **Tilt Angle**.
5. Press **<ENTER>**.
6. Use **<UP>** or **<DOWN>** to select **240**, **180**, or **90**.
7. Press **<ENTER>**.

## Pan/Tilt Speed

To set the pan/tilt speed, follow the instructions below:

1. Press **<MENU>**.
2. Use **<UP>** or **<DOWN>** to choose **Setup**.
3. Press **<ENTER>**.
4. Use **<UP>** or **<DOWN>** to select **P/T Speed**.
5. Press **<ENTER>**.
6. Use **<UP>** or **<DOWN>** to select **Normal**, **Fast**, or **Slow**.
7. Press **<ENTER>**.

## Dimmer Curve

To set the dimmer curve, do the following:

1. Press **<MENU>**.
2. Use **<UP>** or **<DOWN>** to choose **Setup**.
3. Press **<ENTER>**.
4. Use **<UP>** or **<DOWN>** to select **Dimmer Curve**.
5. Press **<ENTER>**.
6. Use **<UP>** or **<DOWN>** to select **Square**, **I Squa**, **sCurve**, or **Linear**.
7. Press **<ENTER>**.

## Dimmer Speed

To set the dimmer speed, follow the instructions below:

1. Press **<MENU>**.
2. Use **<UP>** or **<DOWN>** to choose **Setup**.
3. Press **<ENTER>**.
4. Use **<UP>** or **<DOWN>** to select **Dimmer Speed**.
5. Press **<ENTER>**.
6. Use **<UP>** or **<DOWN>** to select **Fast** or **Smooth**.
7. Press **<ENTER>**.

- 
- Color Balance** To set the color balance, do the following:
1. Press **<MENU>**.
  2. Use **<UP>** or **<DOWN>** to choose **Setup**.
  3. Press **<ENTER>**.
  4. Use **<UP>** or **<DOWN>** to select **Color Balance**.
  5. Press **<ENTER>**.
  6. Use **<UP>** or **<DOWN>** to select **RED, GREEN, BLUE, or WHITE**.
  7. Press **<ENTER>**.
  8. Use **<UP>** or **<DOWN>** to increase or decrease the color value (**100–255**).
  9. Press **<ENTER>**.
  10. Repeat steps 6-9 until the desired color balance is set.

- Display Timeout** To select whether the display backlight should turn off after inactivity, follow the instructions below:
1. Press **<MENU>**.
  2. Use **<UP>** or **<DOWN>** to choose **Setup**.
  3. Press **<ENTER>**.
  4. Use **<UP>** or **<DOWN>** to select **Display**.
  5. Press **<ENTER>**.
  6. Use **<UP>** or **<DOWN>** to select **ON** or **OFF**.
  7. Press **<ENTER>**.

- Display Orientation** To set the display orientation on the Intimidator Trio, do the following:
1. Press **<MENU>**.
  2. Use **<UP>** or **<DOWN>** to choose **Setup**.
  3. Press **<ENTER>**.
  4. Use **<UP>** or **<DOWN>** to select **Screen Rev.**
  5. Press **<ENTER>**.
  6. Use **<UP>** or **<DOWN>** to select **ON** or **OFF**.
  7. Press **<ENTER>**.

- Fans** To set the fan speed, follow the instructions below:
1. Press **<MENU>**.
  2. Use **<UP>** or **<DOWN>** to choose **Setup**.
  3. Press **<ENTER>**.
  4. Use **<UP>** or **<DOWN>** to select **Fans**.
  5. Press **<ENTER>**.
  6. Use **<UP>** or **<DOWN>** to select **Auto** or **Full**.
  7. Press **<ENTER>**.

- Reset** To restart the Intimidator Trio, do the following:
1. Press **<MENU>**.
  2. Use **<UP>** or **<DOWN>** to choose **Setup**.
  3. Press **<ENTER>**.
  4. Use **<UP>** or **<DOWN>** to select **Reset**.
  5. Press **<ENTER>**.

- Load Factory Defaults** To reset the Intimidator Trio to factory default settings, follow the instructions below:
1. Press **<MENU>**.
  2. Use **<UP>** or **<DOWN>** to choose **Setup**.
  3. Press **<ENTER>**.
  4. Use **<UP>** or **<DOWN>** to select **Factory Set**.
  5. Press **<ENTER>**.

- System Info** To view system information, do the following:
1. Press **<MENU>**.
  2. Use **<UP>** or **<DOWN>** to choose **Sys Info**.
  3. Press **<ENTER>**. The version number, running mode, DMX address, and current product temperature will show on the display.

## IR Mode

IR mode allows the product to be controlled with an infrared remote controller. The IRC-6 can remotely set the product to various modes; adjust the color, speed and sensitivity; and set the strobe.

To set the product to IR mode, do the following:

1. Make sure the product is plugged into a power source and not connected to a DMX cable.
2. Press **<MENU>**.
3. Use **<UP>** or **<DOWN>** to choose **Run Mode**.
4. Press **<ENTER>**. Use **<UP>** or **<DOWN>** to choose **IR**.
5. Press **<ENTER>** and the indicator on the front of the Intimidator Trio blinks.

## IRC-6 Operation



**Be sure the IRC-6 remote is pointing directly at the product and there is nothing in between the remote and the product.**



The list below describes which features each button controls.

- **<BLACKOUT>** - Turns LED on and off.
- **<AUTO>** - Activates Auto mode. Use the **<+>** and **<->** buttons to cycle through Auto programs.
- **<SOUND>** - Activates Sound mode.
- **<STROBE>** - Activates the strobe. Use the **<+>** and **<->** buttons to increase or decrease strobe speed.
- **<SPEED>** - Adjusts the movement speed. Use the **<+>** and **<->** buttons to increase or decrease the pan/tilt speed.
- **<SENSITIVITY>** - Adjusts sound sensitivity. Use the **<+>** and **<->** buttons to increase or decrease the sound sensitivity.
- **<%>** - Adjusts the brightness of the LEDs. Use the **<+>** and **<->** buttons to increase or decrease the brightness of the LEDs.
- **<FADE/SNAP>** or **<FADE>** - Activates Color Fade mode and Color Snap mode. Press **<FADE>/SNAP>** to toggle Fade and Snap. Use the **<+>** and **<->** buttons to increase or decrease the Fade/Snap speed (fast to slow).
- **<MANUAL>** - Activates Manual mode.
- **<R>** - Adjusts the red LEDs. Use the **<+>** and **<->** buttons to increase or decrease the red output.
- **<G>** - Adjusts the green LEDs. Use the **<+>** and **<->** buttons to increase or decrease the green output.
- **<B>** - Adjusts the blue LEDs. Use the **<+>** and **<->** buttons to increase or decrease the blue output.
- **<W>** - Adjusts the white LEDs. Use the **<+>** and **<->** buttons to increase or decrease the white output.
- **<A>** - Adjusts the Pan/Tilt manually. Press **<A>** to toggle between Pan and Tilt. Use the **<+>** and **<->** buttons to increase or decrease the Pan/Tilt value.
- **<UV>** or **<P>** - Adjusts the Zoom manually. Use the **<+>** and **<->** buttons to increase or decrease the Zoom value.
- **<+>** - Increases values for controls as described above.
- **<->** - Decreases values for controls as described above.
- **<0>—<9>** - Activates specific Auto modes. Can be used as a shortcut for the combination of the **<AUTO>** button and the **<+>** and **<->** buttons.

---

## Master/Slave Mode

The Master/Slave mode allows a single Intimidator Trio (the master) to control the actions of one or more Intimidator Trio products (the slaves) without the need of a DMX controller. The master will be set to operate in either Stand-Alone mode or with the IRC-6, while the slaves will be set to operate in Slave mode. Once set and connected, the slaves will operate in unison with the master.

Configure the products as indicated below.

### Slaves:

1. Press **<MENU>**.
2. Use **<UP>** or **<DOWN>** to select **Run Mode**.
3. Press **<ENTER>**.
4. Use **<UP>** or **<DOWN>** to select **Slave**.
5. Press **<ENTER>**.
6. Use **<UP>** or **<DOWN>** to select **Slave 1, Slave 2, Slave 3, or Slave 4**.
  - Select **Slave 1** for 100% synchronized actions.
  - Select **Slave 2, Slave 3, or Slave 4** for a delayed show with all heads in the same direction but with a delay creating a wave effect.
7. Press **<ENTER>**.
8. Connect the DMX input of the first slave product to the DMX output of the master.
9. Connect the DMX input of the subsequent slaves to the DMX output of the previous slave.
10. Finish setting and connecting all the slaves.

### Master:

1. Set the master to operate in either Stand-Alone mode or with the IRC-6.
2. Make the master the first product in the DMX daisy chain.

**When including Intimidator Wash Zoom products in Master/Slave configuration with Intimidator Trio products, you must observe the following:**



- **When the Intimidator Wash Zoom product is the master and the Intimidator Trio is connected as a slave, the Intimidator Trio must be set to DMX mode with a starting address of 001. DO NOT set the Intimidator Trio in Slave mode when an Intimidator Wash Zoom product is the master.**
- **The Intimidator Trio will not operate as the master to an Intimidator Wash Zoom product connected as a slave.**



- **Configure all the slaves before connecting the master to the DMX daisy chain.**
- **Never connect a DMX controller to a DMX string configured for Master/Slave operation because the controller may interfere with the signals from the master.**
- **Do not connect more than 31 slave products to the master.**

---

## 5. MAINTENANCE

### **Product Maintenance**

Dust build-up reduces light output performance and can cause overheating. This can lead to reduction of the light source's life and/or mechanical wear. To maintain optimum performance and minimize wear, clean your lighting products at least twice a month. However, be aware that usage and environmental conditions could be contributing factors to increase the cleaning frequency.

To clean the product, follow the instructions below:

1. Unplug the product from power.
2. Wait until the product is at room temperature.
3. Use a vacuum (or dry compressed air) and a soft brush to remove dust collected on the external surface/vents.
4. Clean all transparent surfaces with a mild soap solution, ammonia-free glass cleaner, or isopropyl alcohol.
5. Apply the solution directly to a soft, lint free cotton cloth or a lens cleaning tissue.
6. Softly drag any dirt or grime to the outside of the transparent surface.
7. Gently polish the transparent surfaces until they are free of haze and lint.



**Always dry the transparent surfaces carefully after cleaning them.**



**Do not spin the cooling fans using compressed air because you could damage them.**



## 6. TECHNICAL SPECIFICATIONS

<b>Dimensions and Weight</b>	<b>Length</b>	<b>Width</b>	<b>Height (pointing upward)</b>	<b>Weight</b>
	10.9 in (278 mm)	10.9 in (278 mm)	15.2 in (386 mm)	20 lb (9.2 kg)
Note: Dimensions in inches rounded to the nearest decimal digit.				
<b>Power</b>	<b>Power Supply Type</b>	<b>Range</b>	<b>Voltage Selection</b>	
	Switching (internal)	100 to 240 VAC, 50/60 Hz	Auto-ranging	
	<b>Parameter</b>	<b>120 V, 60 Hz</b>	<b>230 V, 50 Hz</b>	
	Consumption	242 W	232 W	
	Operating	2 A	1 A	
	Power linking current (products)	13.6 A (4 products)	13.6 A (8 products)	
	Fuse	F 5 A, 250 V	F 5 A, 250 V	
<b>Light Source</b>	<b>Power I/O</b>	<b>US/Worldwide</b>	<b>UK/Europe</b>	
	Power input connector	IEC	IEC	
	Power output connector	Edison	IEC	
	Power Cord plug	Edison (US)	Local plug	
<b>Light Source</b>	<b>Type</b>	<b>Power</b>	<b>Lifespan</b>	
	LED	21 W	50,000 hours	
	<b>Color</b>	<b>Quantity</b>	<b>Current</b>	
<b>Photometrics</b>	Quad-color RGBW	6	6.3 A	
	<b>Parameter</b>			
	Illuminance @ 2 m (7°)	16,000 lux		
	Illuminance @ 2 m (53°)	1,350 lux		
	Zoom Angle	7° to 53°		
	Strobe Rate	0 to 20 Hz		
	Pan and Tilt	540° Pan		270° Tilt
Pan/Tilt Ranges	180°, 360°, 540° Pan		90°, 180°, 270° Tilt	
<b>Thermal</b>	<b>Maximum External Temp.</b>	<b>Cooling System</b>		
	104 °F (40 °C)	Fan-Assisted Convection		
<b>DMX</b>	<b>I/O Connectors</b>	<b>Connector Type</b>	<b>Channel Range</b>	
	3-pin XLR	Sockets	15 or 30	
<b>Ordering</b>	<b>Product Name</b>	<b>Item Code</b>	<b>UPC Number</b>	
	Intimidator Trio	08011102	781462214500	



---

# RETURNS

To get support or return a product:

- If you are located in the U.S., contact Chauvet World Headquarters.
- If you are located in the UK or Ireland, contact Chauvet Europe Ltd.
- If you are located in Mexico, contact Chauvet Mexico.
- If you are located in Benelux, contact Chauvet Europe BVBA.
- If you are located in any other country, DO NOT contact Chauvet. Instead, contact your local distributor. See [www.chauvetlighting.com](http://www.chauvetlighting.com) for distributors outside the U.S., UK, Ireland, Mexico, or Benelux.



**If you are located outside the U.S., UK, Ireland, Mexico, or Benelux, contact your distributor of record and follow their instructions on how to return Chauvet products to them. Visit our website [www.chauvetlighting.com](http://www.chauvetlighting.com) for contact details.**

Call the corresponding Chauvet Technical Support office and request a Return Merchandise Authorization (RMA) number before shipping the product. Be prepared to provide the model number, serial number, and a brief description of the cause for the return.

Send the merchandise prepaid, in its original box, and with its original packing and accessories. Chauvet will not issue call tags.

Clearly label the package with the RMA number. Chauvet will refuse any product returned without an RMA number.



**Write the RMA number on a properly affixed label. DO NOT write the RMA number directly on the box.**

Before sending the product, clearly write the following information on a piece of paper and place it inside the box:

- Your name
- Your address
- Your phone number
- RMA number
- A brief description of the problem

Be sure to pack the product properly. Any shipping damage resulting from inadequate packaging will be your responsibility. FedEx packing or double-boxing are recommended.



**Chauvet reserves the right to use its own discretion to repair or replace returned product(s).**

---

# CONTACT Us

## USA WORLD HEADQUARTERS

### General Information – Chauvet

Address: 5200 NW 108th Avenue  
Sunrise, FL 33351

Voice: (954) 577-4455

Fax: (954) 929-5560

Toll free: (800) 762-1084

### Technical Support

Voice: (954) 577-4455 (Press 4)

Fax: (954) 756-8015

Email: [tech@chauvetlighting.com](mailto:tech@chauvetlighting.com)

### World Wide Web

[www.chauvetlighting.com](http://www.chauvetlighting.com)

## EUROPE

### General Information - Chauvet Europe BVBA

Address: Stokstraat 18  
9770 Kruishoutem  
Belgium

Voice: +32 9 388 93 97

### Technical Support

Email: [Eutech@chauvetlighting.eu](mailto:Eutech@chauvetlighting.eu)

### World Wide Web

[www.chauvetlighting.eu](http://www.chauvetlighting.eu)

### General Information - Chauvet Europe Ltd.

Address: Unit 1C  
Brookhill Road Industrial Estate  
Pinxton, Nottingham, UK  
NG16 6NT

Voice: +44 (0)1773 511115

Fax: +44 (0)1773 511110

### Technical Support

Email: [uktech@chauvetlighting.com](mailto:uktech@chauvetlighting.com)

### World Wide Web

[www.chauvetlighting.co.uk](http://www.chauvetlighting.co.uk)

## MEXICO

### General Information - Chauvet Mexico

Address: Av. Santa Ana 30  
Parque Industrial Lerma  
Lerma, Mexico C.P. 52000

Voice: +52 (728) 285-5000

### Technical Support

Email: [servicio@chauvet.com.mx](mailto:servicio@chauvet.com.mx)

### World Wide Web

[www.chauvet.com.mx](http://www.chauvet.com.mx)

Outside the U.S., United Kingdom, Ireland, Mexico, or Benelux contact the dealer of record. Follow their instructions to request support or to return a product. Visit our website for contact details.